

全球销售网



台州通禾流体控制股份有限公司

Taizhou Tonhe Flow Control Co.,Ltd.

地址:浙江省台州市黄岩区江口街道新顺中小企业创业园3号楼

Add:No.3 building, Xinchun SME pioneer park, Jiangkou street, Huangyan,

Taizhou city, 318020, Zhejiang, China

Tel:+86-576-81100233, 84297288

Fax: +86-576-81100232

M. P:+86-13566820056

Email:tonhe@china-tonhe.com | tonhe@139.com

http://www.china-tonhe.com | http://www.tonheflow.com

TONHEFLOW®

CATALOGUE

2023通禾选型手册



台州通禾流体控制股份有限公司

Taizhou Tonhe Flow Control Co.,Ltd.

目录

通禾企业文化	01
公司大事记	02
公司简介	03/04
认证资质	05
A20执行器型号识别 电动阀命名规则 手动功能使用说明	06
A20-T系列两通黄铜电动球阀	07
A20-T系列两通黄铜电动球阀(AC/DC110-230V)	08
A20-T系列两通不锈钢电动球阀	09
A20-T系列两通不锈钢电动球阀(AC/DC110-230V)	10
A20-T系列两通UPVC电动球阀	11
A20-T系列两通UPVC电动球阀(AC/DC110-230V)	12
A20-T系列两通快装电动球阀	13
A20-T系列立式三通黄铜电动球阀	14
A20-S系列两通不锈钢时间控制阀说明书	15/16
A20-T系列卧式三通黄铜电动球阀	17
A20-M系列两通不锈钢比例调节阀	18
A20-T系列三通不锈钢电动球阀	19
A100-T系列两通PVC电动球阀	20
A100-T系列两通不锈钢电动球阀	21
A100-T系列三通不锈钢电动球阀	22
A150-T系列两通不锈钢电动球阀	23
A150-T系列三通不锈钢电动球阀	24
A150-T系列两通三片式不锈钢电动球阀	25
A150-T系列两通UPVC电动球阀	26
A150-T系列不锈钢电动蝶阀	27
A150-T系列两通快装电动球阀	28
A150-M系列两通UPVC电动比例调节阀	29
A150-M系列两通不锈钢电动比例调节阀	30
A150-T系列三通UPVC电动球阀	31
A150-T系列三通快装电动阀	32
B150-T 系列快开高防护防潮开关型电动阀	33
A150-T系列两通UPVC电动球阀	34
A150-T系列UPVC电动法兰阀	35
A20-W系列防漏水控制器	36
线路图	37/40

通禾企业文化

企业使命：通禾，让流体控制更智能可靠。

发展愿景：打造全球知名的电动阀品牌，缔造人们向往的企业大家庭。

通禾价值观：诚信共赢，服务客户，服务社会。

质量方针：精益求精，追求卓越。

管理理念：标准化、人性化、科学化。

品牌定位：做好中国电动球阀。



公司大事记

2022--获得省级专精特新企业
2022--在欧盟成功注册“TONHEFLOW”和“TONHE”商标
2021--2020-在美国成功注册“TONHEFLOW”和“TONHE”商标
2021--研发Lora 4G NB 无线电动阀
2021--获得国家级高新企业
2021--研发A350 系列执行器
2020--在苏州设立研发中心
2020--新办公楼投入使用
2019--扩大生产规模，迁入自有厂房
2019--研发A150系列调节型电动执行器
2018--“通禾”商标注册
2017--扩大生产规模，迁入新厂房
2017--研发A150 系列电动执行器
2016--获得浙江省高成长科技型中小企业
2016--研发A20系列调节型电动球阀
2015--“TH, TONHEFLOW”通过商标注册
2015--获得浙江省科技型中小企业证书
2014--获得台州市高新技术企业证书
2014--研发家庭防漏水控制器
2013--公司通过SGS ISO 9001: 2008管理体系审核
2012--研发智能定时控制电动球阀
2011--电动球阀通过欧盟CE认证
2009--研发A20、A100系列开关型电动球阀
2009--台州通禾公司成立
2008--研发A10系列电动阀

2022 - Awarded provincial professional boutique enterprise
2022 - Successfully registered "TONHEFLOW" & "TONHE" trademarks in EU
2021 - Successfully registered "TONHEFLOW" & "TONHE" trademarks in USA
2021 - R&D Lora 4G NB wireless electric valve
2021 - Adwarded National High-tech Enterprise
2021 - R&D A350 series electric actuators
2020 - Set up R&D center in Suzhou
2020 - Moved into New office
2019 - Expanded the production scale and moved into the self-owned plant
2019 - R&D A150 series proportional electric actuators
2018 - Registered "通禾" trademark
2017 - Expanded the production scale and moved into a new plant
2017 - R & D A150 series electric actuators
2016 - Got high growth and technology small and medium-sized enterprises in Zhejiang
2016 - R & D A20 Series proportional motorized valve
2015 - "TH, TONHEFLOW" is registered with the trademark
2015 - Got Zhejiang Province science and technology SME certificate
2014 - Got Taizhou high-tech enterprise certificate
2014 - R & D home water leaking detection controller
2013 - Passed the SGS ISO 9001: 2008 management system audit
2012 - R & D smart timer control electric ball valve
2011 - electric ball valve approved the European Union CE certification
2009 - R & D A20, A100 series electric shut off ball valve
2009 - Taizhou Tonhe company was established
2008 - R & D A10 series electric valve



台州通禾流体控制股份有限公司于2008年开始专业从事电动球阀、电动执行器、无线防漏水报警控制系统、智能化流体控制的开发、设计、制造、销售及技术服务，是一家中小型科技创新企业。通禾主要生产1/4”至2”开关型电动球阀、调节型电动球阀、智能定时阀、家庭用水防泄漏监测系统等产品。其中多个产品系列已顺利通过NSF61-G、CE、ROHS等国际认证。电动球阀产品结构紧凑、外型美观，具有智能控制、低工作电流、高密封性等特点，广泛应用于气泵储气缸自动排水、自动浇灌、水处理、高效节水、工业自控等小型设备，产品应用前景广阔，社会经济效益明显。

通禾公司发展迅速，一直坚持“诚信共赢，服务客户，服务社会”的核心理念，以“创造业内优秀的产品”为己任，前后已申请实用新型专利十几项。2019年通过了SGS公司的ISO9001：2015质量管理认证体系，前后被认定为台州市市级高新技术企业、浙江省科技型中小企业、浙江省高成长科技型中小企业，2021年认定为国家级高新技术企业，2022年认定为省级专精特新企业，并获得多项荣誉称号。通禾产品生产采用机械化流水线操作，力求以卓越稳定的质量满足客户需求。通禾产品远销世界各地，主要为欧美国家，一直深得客户信赖和好评。

通禾把人才视为企业的最大财富，致力于缔造员工向往的企业，注重优秀人才的引进、培养和人才资源开发，以稳定的人才梯队实现企业的可持续发展，每年选拔一批有潜力的员工前往培训、学习，以实现员工与企业的共同成长，让企业成为所有员工共有的精神家园。“雄关漫道真如铁，而今漫步从头越”，在新的历史时期、新的历史机遇面前，“为了遇见明天更好的你”，通禾公司上下必然会用心工作，矢志不渝、坚忍不拔，不断超越自我，追求卓越。通禾真诚地希望能与广大新老客户、优秀人才抓住最好的历史机遇，并与来自五湖四海的客户建立长期的合作关系，共同成长、共创佳绩、共享发展，互惠互利，实现双赢。

Taizhou Tonhe Flow Control Co., Ltd. is specialized in the development, design, manufacture, sales and technical service of electric ball valve, electric actuator, wireless leak alarm control system and intelligent fluid control. It is a small and medium-sized scientific and technological innovation enterprise. We mainly produces motorized shut off ball valve from 1/4” to 2”, proportional electric ball valve, intelligent timer controlled valve, household water leakage detection system and other products. Some valves approved NSF61-G, CE, ROHS and other international certification. The motorized valve has compact structure, beautiful appearance, with intelligent control, low working current, high sealing and other features. Which are widely used in air pump tank automatic drainage, automatic watering, water treatment, energy saving, industrial automation and other small equipment. They have broad application prospects, obvious social and economic benefits.

Tonhe grown rapidly, adhering to the core concept of "Integrity & Win-win, serve customers, serve the society", to "create the industry's outstanding products" as its own responsibility, has applied for more than 10 utility model patents along the history. In 2019 passed ISO 9001:2015 quality management certification system. It has been recognized as a municipal high-tech enterprise in Taizhou, a small and medium-sized technology-based enterprise which is high-growth in Zhejiang Province. In 2021 recognized as a national high-tech Enterprise and a provincial specialized emerging enterprise in 2022, and received many honorary titles. We focus on product research & development and scientific & technological innovation, cooperate with professional research unit design institute development for a long time, so as to make products get improve, innovation and achieve excellence continuously. Till now we have applied for 8 patents of utility model.

Our product production using mechanized pipeline operation, and strive to excellent quality and stability to meet customer needs. Our products are exported to many places of the world, mainly in Europe & America, and deeply won the customer's trust and praise.

Tonhe take talent as the greatest wealth of enterprises, is committed to creating employees yearning for enterprises, pay attention to the introduction of talents, training and human resources development, to stabilize the talent so as to achieve sustainable development of enterprises. All of our TONHE employees are abound to work hard, and constantly go beyond ourselves. Tonhe sincerely hope to establish long-term cooperative relations with all of old and new customers, grow up together, share development and benefit, mutual reciprocity and mutual benefit, to achieve a win-win situation.

认证资质



浙江高成长科技型中小企业



国家级高新技术企业证书



ISO9001



实用新型专利证书 (部分)



美国NSF-61-G



CE-TUV



CE-EMC-A150

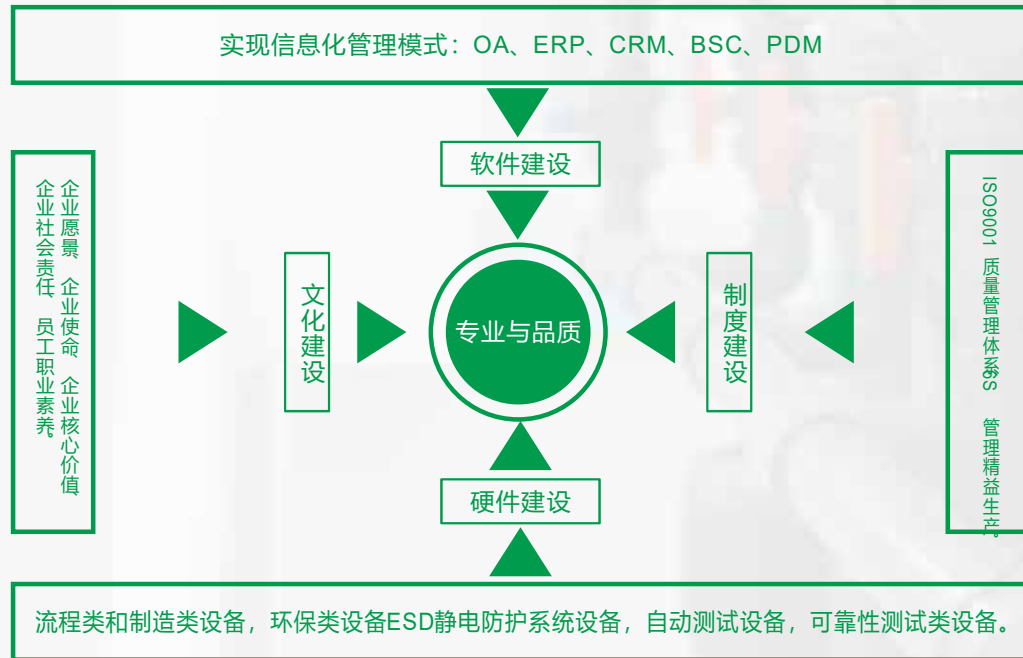


RoHS认证报告



WRAS

通禾质量保证体系架构



A20执行器型号识别 A20 actuator model



A20-A
不带手动 不带指示窗口
No indicator & manual override



A20-B
带手动 带指示窗口
With indicator & manual override



A20-C
不带手动 带指示窗口
Indicator only

电动阀命名规则 Naming scheme for electric ball valve



手动功能使用说明:

1. 手动功能只能在阀门电源断电的情况下使用。
2. 提起手动旋钮, 确定旋转方向, 尖头“O”方向为开阀, 尖头“S”方向关阀, 观察指示标到位后, 需停止转动。
3. 手动操作后必需按下手轮, 否则会损坏齿轮。

Manual operation instruction:

- 1.The manual function can only use in the power failure situation
- 2.Lift the manual knob and confirm the direction of rotation. The valve is opened in the direction of "O" and closed in the direction of "S". Stop rotating after observing the indication mark in place.
- 3.Press the handwheel after manual operation, otherwise the gear will be damaged.



手动使用示意图
Manual operation instruction

本手册内容仅供参考, 不作为使用时的判定依据, 详细技术参数及印刷板图请登录我司网站查询: www.tonheflow.com

A20-T Series 2 way Brass Electric Ball Valve A20-T系列两通黄铜电动球阀



T20-B2-A



T20-B2-B

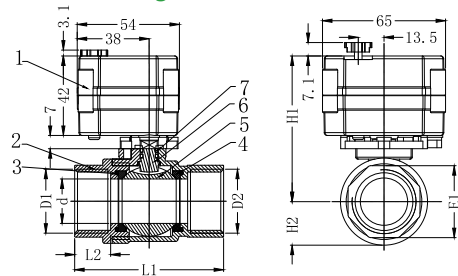


T20-B2-C

Technical Parameters 技术参数:

Product size 口径	NPT/BSP 1/4" 3/8" 1/2" 3/4" 1" 1 1/4" (Optional)
Maximum working pressure 最大工作压力	1.0 MPa
Circulation medium 介质	Fluid, air
Working voltage 额定电压	DC5V DC12V DC24V AC/DC9-24V
Wiring diagram 接线图	CR201 CR202 CR301 CR302 CR303 CR304 CR305 CR306 CR501 CR502 CR701 CR702 CR703 CR705 CR706 (Optional)
Working current 工作电流	≤500mA
Open/close time 开关时间	≤5S
Life time 寿命	70000 times (testing pressure is 0.4MPa, medium is water)
Valve body material 阀材质	Brass
Actuator material 执行器材质	PPO
Sealing material 密封材料	FKM&PTFE
Actuator rotation 执行器旋转角度	90°
Torque force 扭力	3 N.m
Cable length 线长	0.5m, 1.5m (Optional)
Environment temperature 环境温度	-15°C ~ 50°C
Liquid temperature 液体温度	2°C ~ 90°C
Manual override 手动功能	Yes No (Optional)
Open/close indicator 开关指示	Yes No (Optional)
Protection class 保护等级	IP67

Assemble Diagram 组装图



Components 组成

No.	Name	Material	Specification	Quantity
1	Actuator	PPO		1
2	Body & Cover	Brass		1
3	O-ring	FKM		2
4	Sealing	PTFE		2
5	Ball	stainless steel	304	1
6	Stem	Brass		1
7	O-ring	FKM		2

DESCRIPTION	D1/D2	d±0.3	L1±1	L2±1	E1±0.5	H1±1	H2
8-B2-B	1/4"	8	50	12	20.5	67.5	12
10-B2-B	3/8"	10	50	12	20.5	67.5	12
15-B2-B	1/2"	15	57	12	25	71	16
20-B2-B	3/4"	20	65.5	15	31	74.5/76	19
25-B2-B	1"	23.5	71.5	16	38	76.5	22
32-B2-B	1 1/4"	25	80	18	46	78	25
32-B2-B	1 1/4"	29	80	15	46	93	27

A20-T Series 2 way Brass Electric Ball Valve(AC/DC110-230V) A20-T系列两通黄铜电动球阀

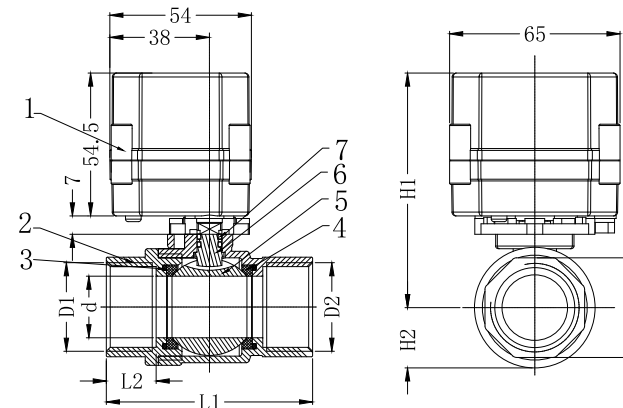
Technical Parameters 技术参数:

Product size 口径	NPT/BSP 1/4" 3/8" 1/2" 3/4" 1" 1 1/4" (Optional)
Maximum working pressure 最大工作压力	1.0 MPa
Circulation medium 介质	Fluid, air
Working voltage 额定电压	AC/DC110-230V
Wiring diagram 接线图	CR202 CR303 CR305 CR306 CR401 CR502 CR703 CR704 CR705 CR706(Optional)
Working current 工作电流	≤500mA
Open/close time 开关时间	≤5S
Life time 寿命	70000 times (testing pressure is 0.4MPa, medium is water)
Valve body material 阀材质	Brass
Actuator material 执行器材质	PPO
Sealing material 密封材料	FKM & PTFE
Actuator rotation 执行器旋转角度	90°
Torque force 扭力	3 N.m
Cable length 线长	0.5m, 1.5m (Optional)
Environment temperature 环境温度	-15°C ~ 50°C
Liquid temperature 液体温度	2°C ~ 90°C
Manual override 手动功能	Yes No (Optional)
Open/close indicator 开关指示	Yes
Protection class 保护等级	IP67



T20-B2-C

Assemble Diagram 组装图



Components 组成

No.	Name	Material	Specification	Quantity
1	Actuator	PPO		1
2	Body & Cover	Brass		1
3	O-ring	FKM		2
4	Sealing	PTFE		2
5	Ball	SS304		1
6	Stem	Brass		1
7	O-ring	FKM		2

DESCRIPTION	D1/D2	d±0.3	L1±1	L2±1	E1±0.5	H1±1	H2
8-B2-C	1/4"	8	50	12	20.5	80	12
10-B2-C	3/8"	10	50	12	20.5	80	12
15-B2-C	1/2"	15	57	12	25	83.5	16
20-B2-C	3/4"	20	65.5	15	31	87/88.5	19
25-B2-C	1"	23.5	71.5	16	38	89	22
32-B2-C	1 1/4"	25	80	18	46	90.5	25
32-B2-C	1 1/4"	29	80	15	46	105.5	27

本手册内容仅供参考，不作为使用时的判定依据，详细技术参数及印刷板图请登录我司网站查询：www.tonheflow.com

A20-T Series 2 way SS304 Electric Ball Valve A20-T系列两通不锈钢电动球阀



T25-S2-A

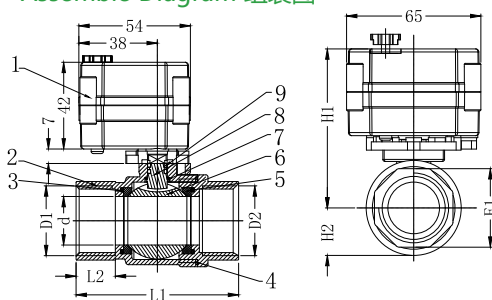
T25-S2-B

T25-S2-C

Technical Parameters技术参数:

Valve size 口径	NPT/BSP 1/4" 3/8" 1/2" 3/4" 1" (Optional)
Maximum working pressure 最大工作压力	1.0 MPa
Circulation medium 介质	Fluid, air
Working voltage 额定电压	DC5V DC12V DC24V AC/DC9-24V(Optional)
Wiring diagram 接线图	CR201 CR202 CR301 CR302 CR303 CR304 CR305 CR306 CR501 CR502 CR701 CR702 CR703 CR705 CR706(Optional)
Working current 工作电流	≤500mA
Open/close time 开关时间	≤5S
Life time 寿命	70000 times (testing pressure is 0.4MPa, medium is water)
Valve body material 阀材质	SS304 SS316
Actuator material 执行器材质	PPO
Sealing material 密封材料	FKM & PTFE
Actuator rotation 执行器旋转角度	90°
Torque force 扭力	3 N.m
Cable length 线长	0.5m, 1.5m (Optional)
Environment temperature 环境温度	-15°C~50°C
Liquid temperature 液体温度	2°C~90°C
Manual override 手动功能	Yes No(Optional)
Open/close indicator 开关指示	Yes No(Optional)
Protection class 保护等级	IP67

Assemble Diagram 组装图



Components 组成

No.	Name	Material	Specification	Quantity
1	Actuator	PPO		1
2	Body & Cover	Stainless Steel	304	1
3	O-ring	FKM		2
4	Sealing	PTFE		1
5	Sealing	PTFE		2
6	Ball	Stainless Steel	304	1
7	Gasket	PTFE		1
8	Stem	Stainless Steel	304	1
9	O-ring	FKM		2

DESCRIPTION	D1/D2	d±0.3	L1±1	L2±1	E1±0.5	H1±1	H2
8-S2-B	1/4"	10	51	12	21	70	14
10-S2-B	3/8"	10	51	12	21	70	14
15-S2-B	1/2"	15	62	14	25	72	17
20-S2-B	3/4"	20	72	17	31	75.5	20
25-S2-B	1"	25	79	18	38	78.5	24.5

A20-T Series 2 way SS304 Electric Ball Valve(AC/DC110-230V) A20-T系列两通不锈钢电动球阀

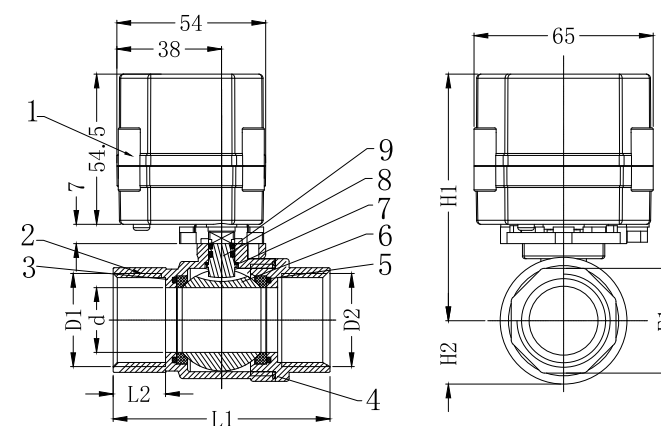
Technical Parameters技术参数:

Valve size 口径	NPT/BSP 1/4" 3/8" 1/2" 3/4" 1" (Optional)
Maximum working pressure 最大工作压力	1.0 MPa
Circulation medium 介质	Fluid, air
Working voltage 额定电压	AC/DC110-230V
Wiring diagram 接线图	CR202 CR303 CR305 CR306 CR401 CR502 CR703 CR704 CR705 CR706(Optional)
Working current 工作电流	≤500mA
Open/close time 开关时间	≤5S
Life time 寿命	70000 times (testing pressure is 0.4MPa, medium is water)
Valve body material 阀材质	SS304 SS316
Actuator material 执行器材质	PPO
Sealing material 密封材料	FKM & PTFE
Actuator rotation 执行器旋转角度	90°
Torque force 扭力	3 N.m
Cable length 线长	0.5m, 1.5m (Optional)
Environment temperature 环境温度	-15°C~50°C
Liquid temperature 液体温度	2°C~90°C
Manual override 手动功能	Yes No (Optional)
Open/close indicator 开关指示	Yes
Protection class 保护等级	IP67



T20-S2-C

Assemble Diagram 组装图



Components 组成

No.	Name	Material	Specification	Quantity
1	Actuator	PPO		1
2	Body & Cover	Stainless Steel	304	1
3	O-ring	FKM		2
4	Sealing	PTFE		1
5	Sealing	PTFE		2
6	Ball	Stainless Steel	304	1
7	Gasket	PTFE		1
8	Stem	Stainless Steel	304	1
9	O-ring	FKM		2

DESCRIPTION	D1/D2	d±0.3	L1±1	L2±1	E1±0.5	H1±1	H2
8-S2-C	1/4"	10	51	12	21	82.5	14
10-S2-C	3/8"	10	51	12	21	82.5	14
15-S2-C	1/2"	15	62	14	25	84.5	17
20-S2-C	3/4"	20	72	17	31	88	20
25-S2-C	1"	25	79	18	38	91	24.5

本手册内容仅供参考，不作为使用时的判定依据，详细技术参数及印刷板图请登录我司网站查询：www.tonheflow.com

A20-T Series 2 way UPVC Electric Ball Valve A20-T系列两通UPVC电动球阀



T25-P2-A

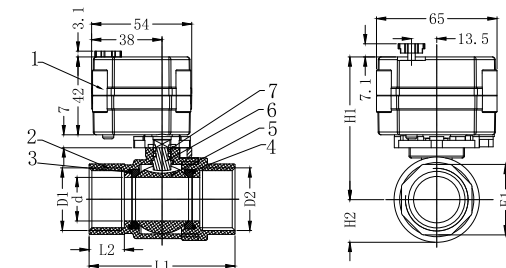
T25-P2-B

T25-P2-C

Technical Parameters 技术参数:

Product size 口径	NPT/BSP/No Thread Glued Type 1/2" 3/4" 1" 1 1/4" (Optional)
Maximum working pressure 最大工作压力	1.0 MPa
Circulation medium 介质	Fluid, air
Working voltage 额定电压	DC5V DC12V DC24V AC/DC9-24V (Optional)
Wiring diagram 接线图	CR201 CR202 CR301 CR302 CR303 CR304 CR305 CR306 CR501 CR502 CR701 CR702 CR703 CR705 CR706 (Optional)
Working current 工作电流	≤500mA
Open/close time 开关时间	≤7S
Life time 寿命	70000 times (testing pressure is 0.4MPa, medium is water)
Valve body material 阀材质	UPVC
Actuator material 执行器材质	PPO
Sealing material 密封材料	EPDM & PTFE
Actuator rotation 执行器旋转角度	90°
Torque force 扭力	3 N.m
Cable length 线长	0.5m, 1.5m (Optional)
Environment temperature 环境温度	-15°C ~ 50°C
Liquid temperature 液体温度	2°C ~ 55°C
Manual override 手动功能	Yes No (Optional)
Open/close indicator 开关指示	Yes No (Optional)
Protection class 保护等级	IP67

Assemble Diagram 组装图



Components 组成

No.	Name	Material	Quantity
1	Actuator	PPO	1
2	Body & Cover	UPVC	1
3	O-ring	EPDM	2
4	Sealing	PTFE	2
5	Ball	UPVC	1
6	Stem	UPVC+SS304	1
7	O-ring	EPDM	1

DESCRIPTION	D1/D2	d±0.3	L1±1	L2±1	E1±0.5	H1±1	H2
15-P2-B	1/2"	14	60	12	29.5	76.3	19.5
20-P2-B	3/4"	17	73	17	37	78	22
25-P2-B	1"	23	80	18	43.5	83	26.5
32-P2-B	1 1/4"	26	94.5	23	50	82	28

A20-T Series 2 way UPVC Electric Ball Valve (AC/DC 110-230V) A20-T系列两通UPVC电动球阀

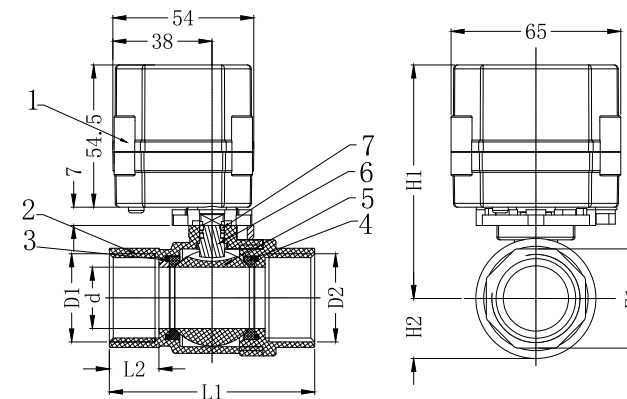
Technical Parameters 技术参数:

Product size 口径	NPT/BSP/No Thread Glued Type 1/2" 3/4" 1" 1 1/4" (Optional)
Maximum working pressure 最大工作压力	1.0 MPa
Circulation medium 介质	Fluid, air
Working voltage 额定电压	AC/DC 110-230V
Wiring diagram 接线图	CR202 CR303 CR305 CR306 CR401 CR502 CR703 CR704 CR705 CR706 (Optional)
Working current 工作电流	≤500mA
Open/close time 开关时间	≤7S
Life time 寿命	70000 times (testing pressure is 0.4MPa, medium is water)
Valve body material 阀材质	PVC
Actuator material 执行器材质	PPO
Sealing material 密封材料	EPDM & PTFE
Actuator rotation 执行器旋转角度	90°
Torque force 扭力	3 N.m
Cable length 线长	0.5m, 1.5m (Optional)
Environment temperature 环境温度	-15°C ~ 50°C
Liquid temperature 液体温度	2°C ~ 55°C
Manual override 手动功能	Yes No (Optional)
Open/close indicator 开关指示	Yes
Protection class 保护等级	IP67



T25-P2-C

Assemble Diagram 组装图



Components 组成

No.	Name	Material	Quantity
1	Actuator	PPO	1
2	Body & Cover	UPVC	1
3	O-ring	EPDM	2
4	Sealing	PTFE	2
5	Ball	UPVC	1
6	Stem	UPVC+SS304	1
7	O-ring	FPM	1

DESCRIPTION	D1/D2	d±0.3	L1±1	L2±1	E1±0.5	H1±1	H2
15-P2-C	1/2"	14	60	12	29.5	88.8	19.5
20-P2-C	3/4"	17	73	17	37	90.5	22
25-P2-C	1"	23	80	18	43.5	95.5	26.5
32-P2-C	1 1/4"	26	94.5	23	50	94.5	28

A20-T Series 2 Way SS304 Tri-clamp Electric Ball Valve A20-T系列两通快装电动球阀

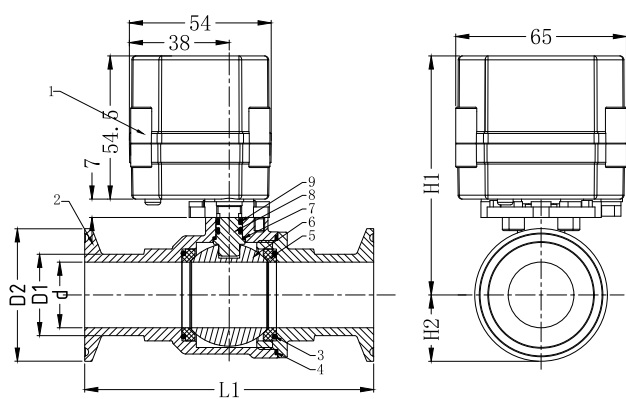
Technical Parameters 技术参数:

Valve size 口径	DN10 DN25 (Optional)
Maximum working pressure 最大工作压力	1.0 MPa
Circulation medium 介质	Fluid, air
Working voltage 额定电压	AC/DC9-24V AC/DC110-230V (Optional)
Wiring diagram 接线图	CR202 CR303 CR305 CR306 CR401 CR502 CR703 CR704 CR705 CR706(Optional)
Working current 工作电流	≤500mA
Open/close time 开关时间	≤5S
Life time 寿命	70000 times (testing pressure is 0.4MPa, medium is water)
Valve body material 阀材质	SS304 SS316
Actuator material 执行器材质	PPO
Sealing material 密封材料	FKM & PTFE
Actuator rotation 执行器旋转角度	90°
Torque force 扭力	3 N.m
Cable length 线长	0.5m, 1.5m (Optional)
Environment temperature 环境温度	-15°C~50°C
Liquid temperature 液体温度	2°C~90°C
Manual override 手动功能	Yes No (Optional)
Open/close indicator 开关指示	Yes
Protection class 保护等级	IP67



A20-S2-C

Assemble Diagram 组装图



DESCRIPTION	d±0.2	D1±0.2	D2±0.2	L±1	H1±1	H2
10-S2-C	9.5	12.7	25.4	75	83	13.75
25-S2-C	25	31	50.5	110	91	25.25

Components 组成

No.	Name	Material	Specification	Quantity
1	Actuator	PPO		1
2	Body Cover	Stainless Steel	304	1
3	O-ring	FKM		2
4	Sealing	PTFE		1
5	Sealing	PTFE		2
6	Ball	Stainless Steel	304	1
7	Gasket	PTFE		1
8	Stem	Stainless Steel	304	1
9	O-ring	FKM		2

A20-T Series 3 Way Vertical Brass Electric ball valve A20-T系列立式三通黄铜电动球阀

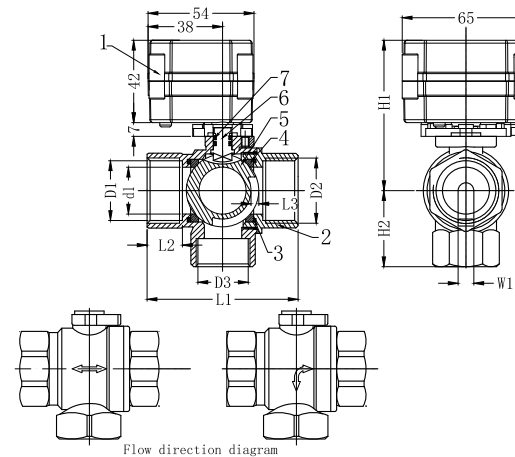
Technical Parameters 技术参数:

Valve size 口径	NPT/BSP 1/2" 3/4" 1" (Optional)
Maximum working pressure 最大工作压力	1.0 MPa
Circulation medium 介质	Fluid, air
Working voltage 额定电压	DC5V DC12V DC24V AC/DC9-24V AC/DC110-230V(Optional)
Wiring diagram 接线图	CR201 CR202 CR301 CR302 CR303 CR304 CR305 CR306 CR401 CR501 CR502 CR701 CR702 CR703 CR704 CR705 CR706(Optional)
Working current 工作电流	≤500mA
Open/close time 开关时间	≤5S
Life time 寿命	70000 times (testing pressure is 0.4MPa, medium is water)
Valve body material 阀材质	Brass
Actuator material 执行器材质	PPO
Sealing material 密封材料	FKM & PTFE
Actuator rotation 执行器旋转角度	90°
Torque force 扭力	3N.m
Cable length 线长	0.5m, 1.5m (Optional)
Environment temperature 环境温度	-15°C~50°C
Liquid temperature 液体温度	2°C~90°C
Manual override 手动功能	Yes No (Optional)
Open/close indicator 开关指示	Yes No (Optional)
Protection class 保护等级	IP67



T25-B3-C

Assemble Diagram 组装图



Components 组成

No.	Name	Material	Specification	Quantity
1	Actuator	PPO		1
2	Body & Cover	Brass		1
3	O-ring	FKM		2
4	Sealing	PTFE		2
5	Ball	Stainless Steel	304	1
6	Stem	Brass		1
7	O-ring	FKM		2

DESCRIPTION	D1/D2/D3	d1±0.3	W1±0.2	L1±1	L2±1	L3±0.2	H1±1	H2
15-B3-C	1/2"	15	8	58	13	3	72	29.5
20-B3-C	3/4"	15	7	66	16	3	70.5	32.5
25-B3-C	1"	24	8	75	17	4	77	40

本手册内容仅供参考，不作为使用时的判定依据，详细技术参数及印刷板图请登录我司网站查询：www.tonheflow.com

A20-S Series 2 Way SS304 Timer Drain Valve A20-S系列两通不锈钢时间控制阀

Technical Parameters 技术参数:

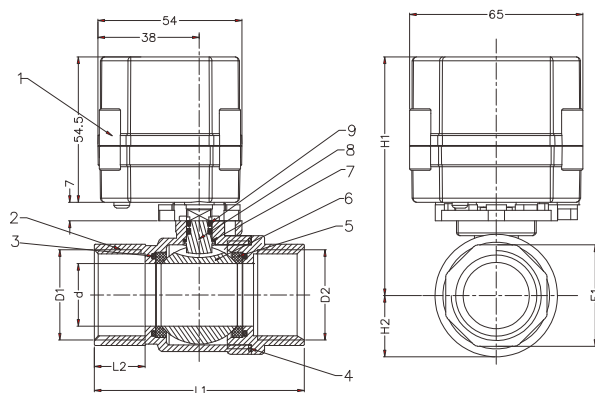
Valve size 口径	NPT/BSP 1/4" 3/8" 1/2" 3/4" 1"(Optional)
Maximum working pressure 最大工作压力	1.0 MPa
Circulation medium 介质	Fluid, air
Valve open /closed time 开关时间	≤ 7S
Working voltage 工作电压	AC/DC9-24V AC/DC110-230V (Optional)
Keeping valve open time 阀开时间范围	00:00:00~99:59:59S
Keeping valve closed time 阀关时间范围	00:00:00~99:59:59S
Working current 工作电流	≤500mA
Life time 寿命	70000 times (testing pressure is 0.4MPa,medium is water)
Valve body material 阀材质	SS304 SS316
Actuator material 执行器材质	PPO
Sealing material 密封材质	FKM & PTFE
Actuator rotation 执行器旋转角度	90°
Torque force 扭力	4N.m
Cable length 线长	0.5m,1.5m (Optional)
Environment temperature 环境温度	-15°C~50°C
Liquid temperature 液体温度	2°C~90°C
Manual override 手动功能	No
Open/close indicator 开关指示	Yes
Protection class 保护等级	IP67



S20-S2-C

Patent Certificate No:
 专利号: ZL 2012 2 0538591.4
 "Spring return" in case of power is failure
 (which is optional according to requirements)
 可选功能-断电关阀

Assemble Diagram 组装图

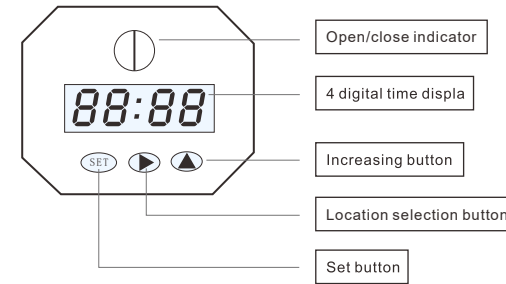


Components 组成

No.	Name	Material	Specification	Quantity
1	Actuator	PPO		1
2	Body & Cover	Stainless Steel	304	1
3	O-ring	FKM		2
4	Sealing	PTFE		1
5	Sealing	PTFE		2
6	Ball	Stainless Steel	304	1
7	Gasket	PTFE		1
8	Stem	Stainless Steel	304	1
9	O-ring	FKM		2

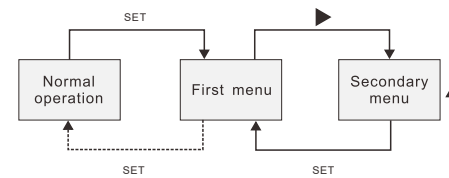
DESCRIPTION	D1/D2	d±0.3	L1±1	L2±1	E1±0.5	H1±1	H2
8-S2-C	1/4"	10	51	12	21	82.5	14
10-S2-C	3/8"	10	51	12	21	82.5	14
15-S2-C	1/2"	15	62	14	25	84.5	17
20-S2-C	3/4"	20	72	17	31	88	20
25-S2-C	1"	25	79	18	38	91	24.5

Operation Instruction of A20-S series timer drain valve
 Description operator panel :



Operating manual :

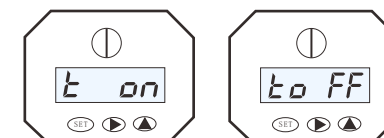
Actuator parameter setting have two menu structures on below:
 Function code (first menu),
 The setting parameters of function code (secondary menu)



Picture 0

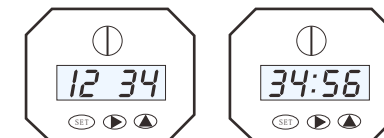
Secondary menu operation flowchart :

Function code	Content	Value	Unit	Remarks
t on	valve keeping open time	00 : 00 : 00-99 : 59 : 59	H:M:S	
t oFF	valve keeping closed time	00 : 00 : 00-99 : 59 : 59	H:M:S	
PonS	Power-on Action	0n/oFF		
Cnt	The open & close times	0-9999	times	The total number of open & close times from use to view the menu



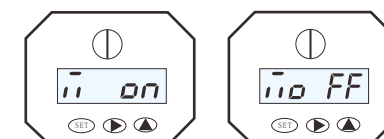
Picture1

Picture2



Picture3

Picture4



Picture5

Picture6

1、 Press **SET** 4 seconds and enter to **first menu**, the screen display picture 1 text (t on), indicating enter to set the valve keeping open state .
 Press **SET** again, the screen display picture 2 text (t oFF), indicating enter to set the valve keeping closed state .

2、 Press then the **▶** after entering the setting state , showing the valve keeping time for setting (Set the valve keeping open time in ton state. Set the valve keeping closed time in toFF state) . Select flashing bit by pressing **▶** , and change the numerical by pressing **▲** .When " : " is flashing , indicate setting " **HS (hours) :MS(minutes)** ", and change the flashing bit by pressing **▶** .When the " : " is bright , indicate setting " **MS(minutes) :SS(seconds)** ". The data will be deposited in the valve controller after completing the setting .Press **SET** when finish setting , will return fist menu , press **SET** again , enter to next fist menu to set parameters .

3、 Press the **SET** & **▶** , the screen display picture 5 , indicating open the valve manually. Press the **SET** & **▲** , the screen display picture 6 , indicating closed the valve manually . Exit manual mode to press the **SET** & **▶** or **SET** & **▲** . And go the power -on action .

4、 Press **SET** to enter the setting menu, the interface shows Cnt, Press **▶** to enter, at this time the screen shows the on-off valve, The number of times, one open and one close count, close and open valve by manually does not count, up to 9999 times. Press **▶** on the counting screen, and the number flashes. Then press **▲** to clear the counting.

5、 After three times, the screen displays ERR1 and the buzzer alarms. Press any key to manually deactivate the alarm and press **▶** to exit the alarm mode.

A20-T Series 3 Way Horizontal Brass Electric Ball Valve A20-T系列卧式三通黄铜电动球阀

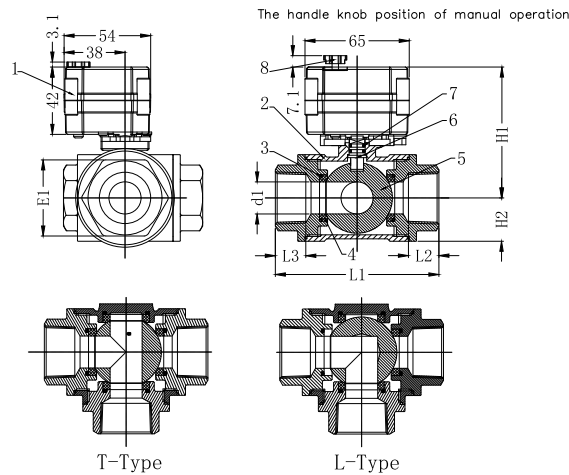
Technical Parameters 技术参数:

Valve size 口径	NPT/BSP 1/4" 3/8" 1/2" 3/4" 1" (Optional)
Maximum working pressure 最大工作压力	1.0MPa
Circulation medium 介质	Fluid, air
Rated voltage 额定电压	DC5V DC12V DC24V AC/DC9-24V AC/DC110-230V (Optional)
Wiring diagram 接线图	CR201 CR202 CR301 CR302 CR303 CR304 CR305 CR306 CR401 CR501 CR502 CR701 CR702 CR703 CR704 CR705 CR706 (Optional)
Working current 工作电流	≤500mA
Open/close time 开关时间	≤7S
Life time 工作寿命	70000 times (testing pressure is 0.4MPa, medium is water)
Valve body material 阀材质	Brass
Actuator material 执行器材质	PPO
Sealing material 密封材质	FKM & PTFE
Actuator rotation 执行器旋转角度	90°
Torque force 扭力	4N.m
Cable length 线长	0.5m, 1.5m (Optional)
Environment temperature 环境温度	-15°C~50°C
Liquid temperature 液体温度	2°C~90°C
Manual override 手动功能	Yes No (Optional)
Open/close indicator 开关指示	Yes No (Optional)
Protection class 保护等级	IP67



T20-B3-B

Assemble Diagram 组装图



Components 组成

No.	Name	Material	Specification	Quantity
1	Actuator	PPO		1
2	Body & Cover	Brass		1
3	O-ring	FKM		4
4	Sealing	PTFE		4
5	Ball	Stainless Steel	304	1
6	Stem	Brass		1
7	O-ring	FKM		2

DESCRIPTION	D1/D2	d1±0.3	L1±1	L2/L3±1	E1±0.5	H1±1	H2
8-B3-B	1/4"	6	51	11	20	65.5	11
10-B3-B	3/8"	6	51	11	20	65.5	11
15-B3-B	1/2"	12	70	17	27	72	17
20-B3-B	3/4"	15	75	17	31	76	20.5
25-B3-B	1"	18	85	17	38	78	22.5

A20-M Series 2 Way SS304 Modulating Ball Valve A20-M系列两通不锈钢比例调节阀

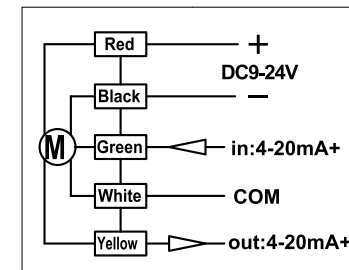
Technical Parameters 技术参数:

Valve size 口径	NPT/BSP 1/4" 3/8" 1/2" 3/4" 1" (Optional)
Maximum working pressure 最大工作压力	1.0MPa
Circulation medium 介质	Fluid, air
Rated voltage 额定电压	DC9-24V DC9-45V
Input signal 输入信号	4-20mA 1-5V 2-10V (Optional)
Out put signal 输出信号	PWM 4-20mA 1-5V 2-10V (Optional)
Working current 工作电流	≤500mA
Open/close time 开关时间	≤7S
Life time 工作寿命	70000 times (testing pressure is 0.4MPa, medium is water)
Valve body material 阀材质	SS304 SS316
Actuator material 执行器材质	PPO
Sealing material 密封材质	FKM & PTFE
Ball type 球阀类型	Full port or V型(Optional)
Torque force 扭力	3 N.m
Cable Length 线长	0.5m 1.5m (Optional)
Environment temperature 环境温度	-15°C~50°C
Liquid temperature 液体温度	2°C~90°C
Manual override 手动功能	No
Open/close indicator 开关指示	Yes No (Optional)
Protection class 保护等级	IP67



M15-S2-C

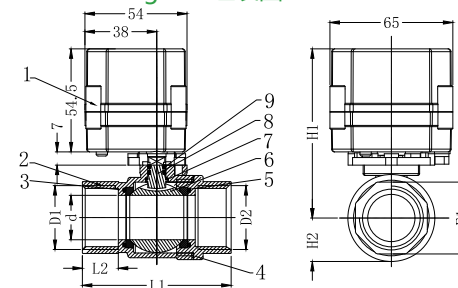
Wiring Diagram 接线图



- 1、RD (红线) 电源+, 接DC9~24V正极
- 2、BK (黑线) 电源-, 接DC9~24V负极
- 3、GR (绿线) 位置输入+, 控制电流 (4-20mA) 正极
- 4、WT (白线) 位置输入-, 位置反馈负极
- 5、YW (黄线) 位置反馈+, 反馈信号为输出电流4-20mA

1. RD(red cable) connects DC9-24V positive pole
2. BK(black cable) connects DC9 ~ 24V-negative pole
3. GR(green cable) connects position input /control current +/- control voltage +4-20mA
4. WT(white cable) connects common signal input and output signal' s negative
5. YW(yellow cable) connects position feedback positive, output 4-20mA as feedback signal

Assemble Diagram 组装图



DESCRIPTION	D1/D2	d±0.5	L1±1	L2±1	E1±0.5	H1±1	H2
8-S2-C	1/4"	10	51	12	21	82.5	14
10-S2-C	3/8"	10	51	12	21	82.5	14
15-S2-C	1/2"	15	62	14	25	84.5	17
20-S2-C	3/4"	20	72	17	31	88	20
25-S2-C	1"	25	79	18	38	91	24.5

Components 组成

No.	Name	Material	Specification	Quantity
1	Actuator	PPO		1
2	Body & Cover	Stainless Steel	304	1
3	O-ring	FKM		2
4	Sealing	PTFE		1
5	Sealing	PTFE		2
6	Ball	Stainless Steel	304	1
7	Gasket	PTFE		1
8	Stem	Stainless Steel	304	1
9	O-ring	FKM		2

A20-T Series 3 Way SS304 Electric Ball Valve A20-T系列三通不锈钢电动球阀

Technical Parameters 技术参数:

Valve size 口径	NPT/BSP 1/2" 1/4" 3/8" (Optional)
Maximum working pressure 最大工作压力	1.0Mpa
Circulation medium 介质	Fluid, air
Rated voltage 额定电压	DC12V DC24V AC24V DC12-24V AC110-230V (Optional)
Wiring diagram 接线图	CR201 CR202 CR301 CR302 CR303 CR305 CR306 CR501 CR502 CR701 CR702 CR703 CR705 CR706 (Optional)
Working current 工作电流	≤500mA
Open/close time 开关时间	≤7S
Life time 寿命	70000 times (testing pressure is 0.4MPa, medium is water)
Valve body material 阀材质	SS304 SS316 (Optional)
Actuator material 执行器材质	PPO
Sealing material 密封材料	FKM & PTFE
Actuator rotation 执行器旋转角度	90°
Torque force 扭力	3 N.m
Cable Length 线长	0.5m, 1.5m (Optional)
Environment temperature 环境温度	-15°C ~ 50°C
Liquid temperature 液体温度	2°C ~ 90°C
Manual operation 手动操作	Yes No (Optional)
Open/close indicator 开关指示	Yes No (Optional)
Protection class 防护等级	IP67



A20-T

A100 Series 2 Way UPVC Electric Ball Valve A100系列两通PVC电动球阀

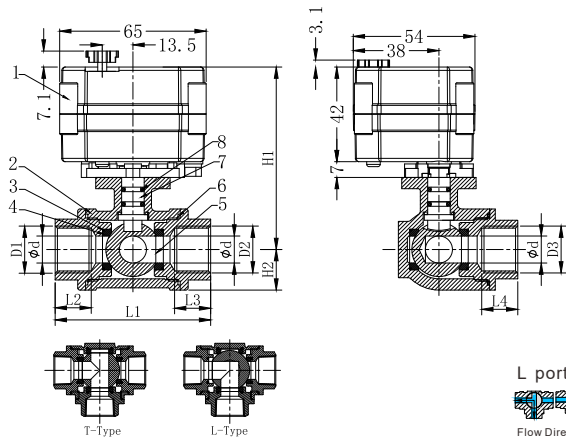
Technical Parameters 技术参数:

Valve size 口径	NPT/BSP/No Thread Glued Type 1/2" 3/4" 1" 1 1/4" 1 1/2" 2" (Optional)
Maximum working pressure 最大工作压力	1.0MPa
Circulation medium 介质	Fluid, air
Rated voltage 额定电压	DC12V DC24V AC/DC12-24V AC/DC110-230V(Optional)
Wiring diagram 接线图	CR201 CR202 CR303 CR305 CR306 CR401 CR501 CR502 CR703 CR704 CR705 CR706(Optional)
Working current 工作电流	≤1A
Open/close time 开关时间	≤15S
Life time 工作寿命	70000 times (testing pressure is 0.4MPa, medium is water)
Valve Body material 阀材质	UPVC
Actuator material 执行器材质	PPO
Sealing material 密封材质	EPDM / FKM & PTFE (Optional)
Actuator rotation 执行器旋转角度	90°
Torque force 扭力	10N.m
Cable length 线长	0.5m, 1.5m (Optional)
Environment temperature 环境温度	-15°C~50°C
Liquid temperature 液体温度	2°C~55°C
Manual override 手动功能	No
Open/close indicator 开关指示	Yes
Protection class 保护等级	IP67



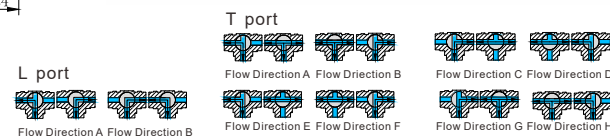
T40-P2-C

Assemble Diagram 组装图



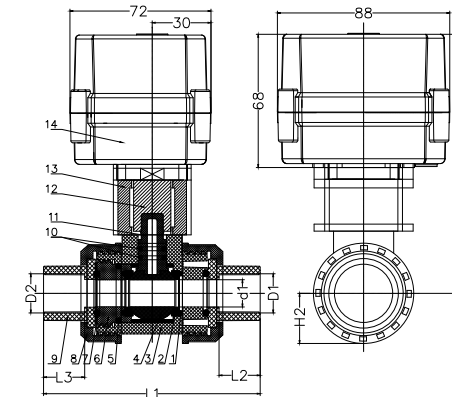
Components 组成

No.	Name	Material	Specification	Quantity
1	Actuator	PPO		1
2	Body & Cover	Stainless Steel	304	1
3	O-ring	FKM		4
4	Sealing	PTFE		4
5	Ball	Stainless Steel	304	1
6	Sealing	PTFE		3
7	Stem	Stainless Steel	304	1
8	O-ring	FKM		2



DESCRIPTION	D1/D2/D3	d±0.2	L1±0.5	L2/L3/L4±0.5	H1±0.5	H2
15-S3-B	1/2"	6	69	14	81	18
10-S3-B	3/8"	6	52	11	71	14
8-S3-B	1/4"	12	52	11	71	14

Assemble Diagram 组装图



Components 组成

No.	Name	Material	specification	Quantity
1	O-ring	EPDM/VITON		2
2	Sealing	PTFE		2
3	Valve body	UPVC		1
4	Ball	UPVC		1
5	O-ring	EPDM/VITON		2
6	Bonnet	UPVC		2
7	O-ring	EPDM/VITON		2
8	Gland	UPVC		2
9	Socket	UPVC		2
10	O-ring	EPDM/VITON		2
11	Stem	UPVC		1
12	Coupling	Stainless steel		1
13	Holder	Stainless steel		1
14	Actuator	PPO		1

DESCRIPTION	D1/D2	d1±0.3	L1±1	L2/L3±1	H1±1	H2	D1/D2				
15-P2-C	1/2"	15	107	22.3	130	27	21.54	20.30	22.40		
20-P2-C	3/4"	20	115	25.5	134.5	32	26.87	25.30	26.45	26.40	
25-P2-C	1"	25	129	28.6	146.3	37	33.65	32.30	32.55	34.50	
32-P2-C	1 1/4"	32	144	32	156.8	42	42.42	40.30	38.60	42.50	
40-P2-C	1 1/2"	40	161	35	163.6	49	48.56	50.30	48.70	48.60	
50-P2-C	2"	50	173	38	179.6	59	60.63	63.30	60.80	60.60	
							ANSI	DIN	JIS	CNS	

A100-T Series 2 Way SS304 Electric Ball Valve

A100-T 系列两通不锈钢电动球阀

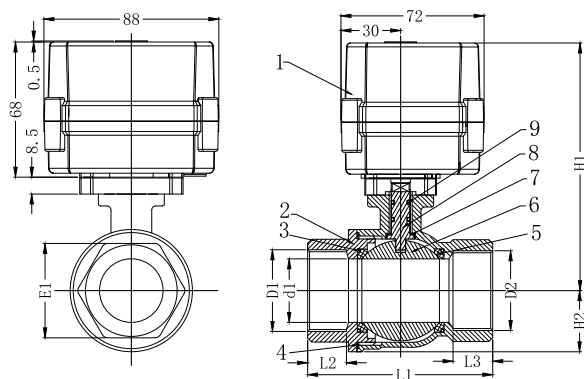
Technical Parameters 技术参数:

Valve size 口径	NPT/BSP 1 1/4" 1 1/2" 2" (Optional)
Maximum working pressure 最大工作压力	1.0MPa
Circulation medium 介质	Fluid, air
Rated voltage 额定电压	DC12V DC24V AC/DC12-24V AC/DC110-230V((Optional)
Wiring diagram 接线图	CR201 CR202 CR303 CR305 CR306 CR401 CR501 CR502 CR703 CR704 CR705 CR706 (Optional)
Working current 工作电流	≤1A
Open/close time 开关时间	≤15S
Life time 工作寿命	70000 times (testing pressure is 0.4MPa,medium is water)
Valve body material 阀材质	SS304 SS316(Optional)
Actuator material 执行器材质	PPO
Sealing material 密封材质	FKM & PTFE
Actuator rotation 执行器旋转角度	90°
Torque force 扭力	10N.m
Cable length 线长	0.5m 1.5m (Optional)
Environment temperature 环境温度	-15°C~50°C
Liquid temperature 液体温度	2°C~90°C
Manual override 手动	No
Open/close indicator 开关指示	Yes
Protection class 保护等级	IP67



T32-S2-C

Assemble Diagram 组装图



Components 组成

No.	Name	Material	specification	Quantity
1	Actuator	PPO		1
2	Body & Cover	stainless steel	304	1
3	O-ring	FKM		2
4	Sealing	PTFE		1
5	Sealing	PTFE		2
6	Ball	stainless steel	304	1
7	Gasket	PTFE		1
8	Stem	stainless steel	304	1
9	O-ring	FKM		2

DESCRIPTION	D1/D2	d1±0.3	L1±1	L2/L3±1	E1±0.5	H1±1	H2
32-S2-C	1 1/4"	32	102	25	47	121.5	31
40-S2-C	1 1/2"	38	114	26	54	128.5	36
50-S2-C	2"	49	130	27	66	136.5	45

A100-T Series Electric 3 Way Electric SS304 Ball Valve

A100-T 系列三通不锈钢电动球阀

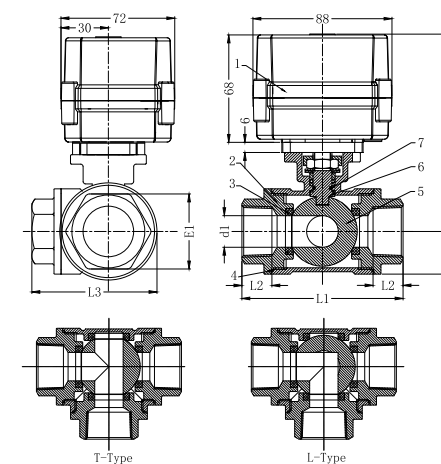
Technical Parameters 技术参数:

Product size 口径	NPT/BSP 1/2" 3/4" 1" (Optional)
Maximum working pressure 最大工作压力	1.0MPa
Circulation medium 介质	Fluid, air
Rated voltage 额定电压	DC12V DC24V AC/DC12-24V AC/DC110-230V(Optional)
Wiring diagram 接线图	CR201 CR202 CR303 CR305 CR306 CR401 CR501 CR502 CR703 CR704 CR705 CR706 (Optional)
Working current 工作电流	≤1A
Open/close time 开关时间	≤15S
Life time 工作寿命	70000 times (testing pressure is 0.4MPa,medium is water)
Valve body material 阀体材质	SS304 SS316 (Optional)
Actuator material 执行器材质	PPO
Sealing material 密封材质	FKM & PTFE
Actuator rotation 执行器旋转角度	90°
Toque force 扭力	10N.m
Cable length 线长	0.5m,1.5m (Optional)
Environment temperature 环境温度	-15°C~50°C
Liquid temperature 液态温度	2°C~90°C
Manual override 手动	No
Indicator 指示	Yes
Protection class 保护等级	IP67



T25-S3-C

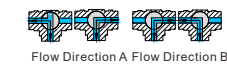
Assemble Diagram 组装图



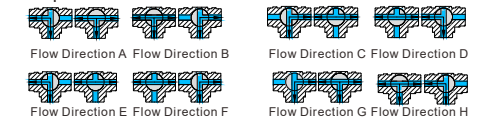
Components 组成

No.	Name	Material	specification	Quantity
1	Actuator	PPO		1
2	Body & Cover	stainless steel		1
3	Sealing	PTFE		1
4	Sealing	PTFE		2
5	Ball	stainless steel	304/316	1
6	Stem	stainless steel	304/316	1
7	O-ring	FKM		1

L port



T port



DESCRIPTION	D1/D2	d1±0.3	L1±1	L2±1	E1±0.5	H1±1	H2	L3
15-S3-C	1/2"	12	71	15	25	115.5	18	53
20-S3-C	3/4"	15	80	20	31	116	21	60
25-S3-C	1"	18	87	20	38	124.5	23.5	68

本手册内容仅供参考，不作为使用时的判定依据，详细技术参数及印刷板图请登录我司网站查询：www.tonheflow.com

A150-T Series 2 Way SS304 Electric Ball Valve A150-T系列两通不锈钢电动球阀

Technical Parameters 技术参数:

Valve size 口径	NPT/BSP 1 1/4" 1 1/2" 2" (Optional)
Connection standard 连接标准	ISO5211 F03、F05
Output axis specification 输出轴规格	11*11 9*9
Maximum working pressure 最大工作压力	1.0MPa
Circulation medium 介质	Fluid, air
Rated voltage 额定电压	DC12V DC24V AC24V DC12-24V AC110-230V (Optional)
Wiring diagram 接线图	CR201 CR202 CR301 CR303 CR306 CR501 CR502 CR702 CR703 CR706 (Optional)
Working current 工作电流	≤1.5A
Open/close time 开关时间	≤12S
Life time 寿命	70000 times (testing pressure is 0.4MPa, medium is water)
Valve body material 阀材质	SS304 SS316 (Optional)
Actuator material 执行器材质	PPO
Sealing material 密封材料	FKM & PTFE
Actuator rotation 执行器旋转角度	90°
Torque force 扭力	15 N.m
Cable Length 线长	0.5m, 1.5m (Optional)
Environment temperature 环境温度	-15°C ~ 50°C
Liquid temperature 液体温度	2°C ~ 90°C
Manual operation 手动操作	Yes
Open/close indicator 开关指示	Yes
Protection class 防护等级	IP67



T50-S2-B

A150-T Series 3 Way SS304 Electric Ball Valve A150-T系列三通不锈钢电动球阀

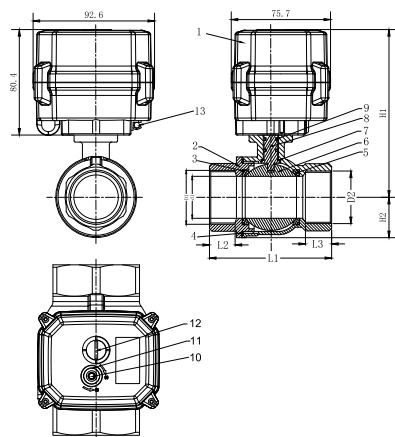
Technical Parameters 技术参数:

Valve size 口径	NPT/BSP 1/2" 3/4" 1" (Optional)
Connection standard 连接标准	ISO5211 F03、F05
Output axis specification 输出轴规格	11*11 9*9
Maximum working pressure 最大工作压力	1.0Mpa
Circulation medium 介质	Fluid, air
Rated voltage 额定电压	DC12V DC24V AC24V DC12-24V AC110-230V (Optional)
Wiring diagram 接线图	CR201 CR202 CR301 CR303 CR306 CR501 CR502 CR702 CR703 CR706 (Optional)
Working current 工作电流	≤1.5A
Open/close time 开关时间	≤12S
Life time 寿命	70000 times (testing pressure is 0.4MPa, medium is water)
Valve body material 阀材质	SS304 SS316 (Optional)
Actuator material 执行器材质	PPO
Sealing material 密封材料	PTFE
Actuator rotation 执行器旋转角度	90°
Torque force 扭力	15 N.m
Cable Length 线长	0.5m, 1.5m (Optional)
Environment temperature 环境温度	-15°C ~ 50°C
Liquid temperature 液体温度	2°C ~ 90°C
Manual operation 手动操作	Yes
Open/close indicator 开关指示	Yes
Protection class 防护等级	IP67



T25-S3-B

Assemble Diagram 组装图

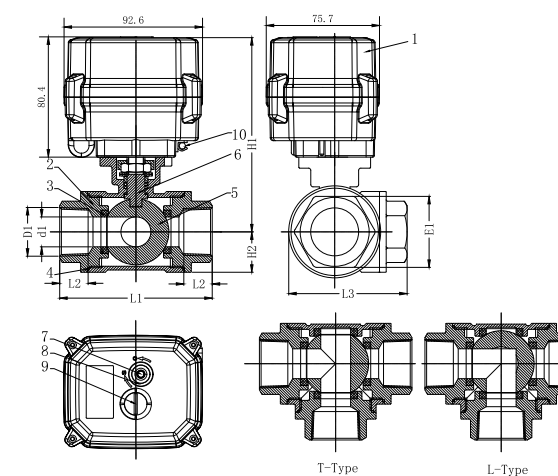


Components 组成

No.	Name	Material	Specification	Quantity
1	Actuator	PPO		1
2	Body & Cover	Stainless Steel	304	1
3	O-ring	FKM		2
4	Sealing	PTFE		1
5	Sealing	PTFE		2
6	Ball	Stainless Steel	304	1
7	Gasket	PTFE		1
8	Stem	Stainless Steel	304	1
9	O-ring	FKM		2
10	Manual Shaft	Stainless Steel	304	1
11	Oil-seal	NBR		1
12	Indicator	PC		1
13	Hexagon Wrench	Stainless Steel	304	1

DESCRIPTION	D1/D2	d1±0.3	L1±1	L2/L3±1	E1±0.5	H1±1	H2
32-S2-B	1 1/4"	32	102	25	47	125.4	31
40-S2-B	1 1/2"	38	114	26	54	132.4	36
50-S2-B	2"	49	130	27	66	140.4	44.5

Assemble Diagram 组装图



DESCRIPTION	D1	d1±0.3	L1±1	L2±1	E1±0.5	H1±1	H2	L3
15-S3-B	1/2"	12	71	18	25	118	18	53
20-S3-B	3/4"	15	80	20	31	122.4	21	60
25-S3-B	1"	18	87	20	38	131	23.5	68

Components 组成

No.	Name	Material	Specification	Quantity
1	Actuator	PPO		1
2	Body & Cover	Stainless Steel	304	1
3	Sealing	PTFE		4
4	Sealing	PTFE		3
5	Ball	Stainless Steel	304	1
6	Stem	Stainless Steel	304	1
7	Manual Shaft	Stainless Steel	304	1
8	Oil-seal	NBR		1
9	Indicator	PC		1
10	Hexagon Wrench	Stainless Steel	304	1

L port



Flow Direction A Flow Direction B

T port



Flow Direction A Flow Direction B Flow Direction C Flow Direction D Flow Direction E Flow Direction F Flow Direction G Flow Direction H

A150-T Series 2 Way 3-pieces SS304 Electric Ball Valve A150-T系列两通三片式不锈钢电动球阀

Technical Parameters 技术参数:

Valve size 口径	NPT/BSP 1/2" 3/4" 1" (Optional)
Connection standard 连接标准	ISO5211 F03、F05
Output axis specification 输出轴规格	11*11 9*9
Maximum working pressure 最大工作压力	1.6MPa
Circulation medium 介质	Fluid, air
Rated voltage 额定电压	DC12V DC24V AC24V DC12-24V AC110-230V (Optional)
Wiring diagram 接线图	CR201 CR202 CR301 CR303 CR306 CR501 CR502 CR702 CR703 CR706 (Optional)
Working current 工作电流	≤1.5A
Open/close time 开关时间	≤12S
Life time 寿命	70000 times (testing pressure is 0.4MPa, medium is water)
Valve body material 阀材质	SS304 SS316 (Optional)
Actuator material 执行器材质	PPO
Sealing material 密封材料	FKM & PTFE
Actuator rotation 执行器旋转角度	90°
Torque force 扭力	15 N.m
Cable Length 线长	0.5m, 1.5m (Optional)
Environment temperature 环境温度	-15°C ~ 50°C
Liquid temperature 液体温度	2°C ~ 90°C
Manual operation 手动操作	Yes
Open/close indicator 开关指示	Yes
Protection class 防护等级	IP67



T25-S2-B

A150-T Series 2 Way UPVC Electric Ball Valve A150-T系列两通UPVC电动球阀

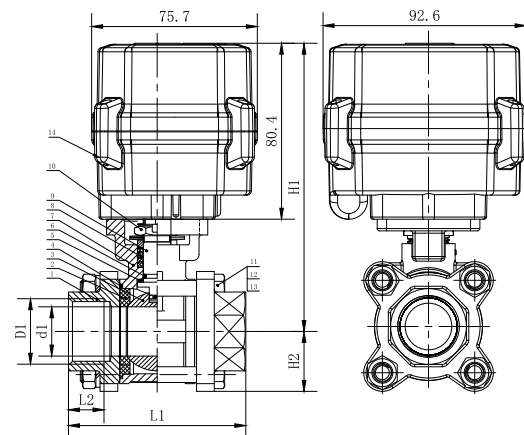
Technical Parameters 技术参数:

Valve size 口径	NPT/BSP/No Thread Glued Type 1/2" 3/4" 1" 1 1/4" 1 1/2" 2" (Optional)
Connection standard 连接标准	ISO5211 F03、F05
Output axis specification 输出轴规格	11*11 9*9
Maximum working pressure 最大工作压力	1.0MPa
Circulation medium 介质	Fluid, air
Rated voltage 额定电压	DC12V DC24V AC24V DC12-24V AC110-230V (Optional)
Wiring diagram 接线图	CR201 CR202 CR301 CR303 CR306 CR501 CR502 CR702 CR703 CR706 (Optional)
Working current 工作电流	≤1.5A
Open/close time 开关时间	≤12S
Life time 寿命	70000 times (testing pressure is 0.4MPa, medium is water)
Valve body material 阀材质	UPVC
Actuator material 执行器材质	PPO
Sealing material 密封材料	FKM/EPDM & PTFE
Actuator rotation 执行器旋转角度	90°
Torque force 扭力	15 N.m
Cable Length 线长	0.5m, 1.5m (Optional)
Environment temperature 环境温度	-15°C ~ 50°C
Liquid temperature 液体温度	2°C ~ 55°C
Manual operation 手动操作	Yes
Open/close indicator 开关指示	Yes
Protection class 防护等级	IP67



T50-P2-B

Assemble Diagram 组装图

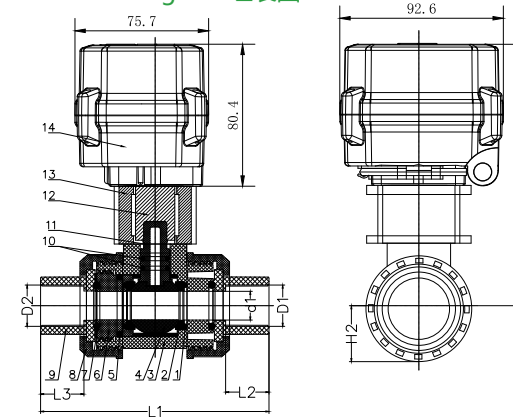


Components 组成

No.	Name	Material	Specification	Quantity
1	Bonnet	Stainless Steel	304	2
2	Seat	PTFE		2
3	Ball	Stainless Steel	304	2
4	Gasket	PTFE		1
5	Stem Gasket	PTFE		1
6	O-Ring	FKM		1
7	Body	Stainless Steel	304	1
8	Packing	PTFE		2
9	Stem	Stainless Steel	304	1
10	Packing Gland	Stainless Steel	304	1
11	Bolt	Stainless Steel	304	4
12	Spring Washer	Stainless Steel	304	4
13	Nut	Stainless Steel	304	4
14	Actuator	PPO		1

DESCRIPTION	D1±0.5	d1±1	L1±1	L2±1	H1±1	H2
15-S2-B	1/2"	15	70	14	123.4	24
20-S2-B	3/4"	20	80	16	127.4	28
25-S2-B	1"	25	87	17	136.4	30

Assemble Diagram 组装图



Components 组成

No.	Name	Material	Specification	Quantity
1	O-ring	EPDM/VITON		2
2	Sealing	PTFE		2
3	Valve Body	UPVC		1
4	Ball	UPVC		1
5	O-ring	EPDM/VITON		2
6	Bonnet	UPVC		2
7	O-ring	EPDM/VITON		2
8	Gland	UPVC		2
9	Socket	UPVC		2
10	O-ring	EPDM/VITON		2
11	Stem	UPVC		1
12	Coupling	Stainless Steel	304	1
13	Holder	Stainless Steel	304	1
14	Actuator	PPO		1

DESCRIPTION	D1/D2	d1±0.3	L1±1	L2/L3±1	H1±1	H2	D1/D2			
15-P2-B	1/2"	15	107	22.3	136.7	27.5	21.54	20.30	22.4	22.40
20-P2-B	3/4"	20	115	25.5	141.2	32	26.87	25.30	26.45	26.40
25-P2-B	1"	25	129	28.6	156.25	37.25	33.65	32.30	32.55	34.50
32-P2-B	1 1/4"	32	144	32	162.4	42.75	42.42	40.30	38.60	42.50
40-P2-B	1 1/2"	40	161	35	174	50	48.56	50.30	48.70	48.60
50-P2-B	2"	50	173	38	194.4	60	60.63	63.30	60.80	60.60
							ANSI	DIN	JIS	CNS

本手册内容仅供参考，不作为使用时的判定依据，详细技术参数及印刷版图请登录我司网站查询：www.tonheflow.com

A150-T Series SS304 Electric Butterfly Valve A150-T系列不锈钢电动蝶阀

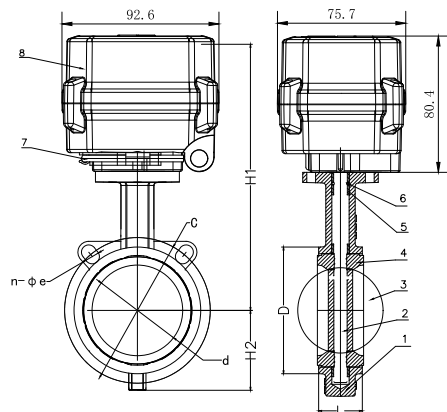
Technical Parameters 技术参数:

Valve size 口径	DN25 DN32 DN40 DN50 DN65 (Optional)
Connection standard 连接标准	ISO5211 F03、F05
Output axis specification 输出轴规格	11*11 9*9
Maximum working pressure 最大工作压力	1.0MPa
Circulation medium 介质	Fluid, air
Rated voltage 额定电压	DC12V DC24V AC24V DC12-24V AC110-230V (Optional)
Wiring diagram 接线图	CR201 CR202 CR301 CR303 CR306 CR501 CR502 CR702 CR703 CR706 (Optional)
Working current 工作电流	≤1.5A
Open/close time 开关时间	≤12S
Life time 寿命	70000 times (testing pressure is 0.4MPa, medium is water)
Valve body material 阀材质	SS304 SS316
Actuator material 执行器材质	PPO
Sealing material 密封材料	EPDM
Actuator rotation 执行器旋转角度	90°
Torque force 扭力	15 N.m
Cable Length 线长	0.5m, 1.5m (Optional)
Environment temperature 环境温度	-15°C ~ 50°C
Liquid temperature 液体温度	0°C ~ 80°C
Manual operation 手动操作	Yes
Open/close indicator 开关指示	Yes
Protection class 防护等级	IP67



A150-T

Assemble Diagram 组装图



DESCRIPTION	d±0.3	D±0.5	L±0.5	C±0.3	n-Φe	H2±0.5	H1±1
25/32-SD-B	38	72	31.5	101.5	2-18	49.8	159.4
40/50-SD-B	53	87	41	114.5	4-18	65	209.4
65-SD-B	65	100	44	138	4-24	85	215.4

Components 组成

No.	Name	Material	Specification	Quantity
1	Valve Body	304	304	1
2	Seat	EPDM		1
3	Valve Plate	Stainless Steel	304	1
4	Valve Shaft	416		1
5	Shaft Sleeve	EPDM		2
6	O-ring	EPDM		1
7	Hexagon Wrench	Stainless Steel	304	1
8	Actuator	PPO		1

A150-T Series 2 Way SS304 Tri-clamp Electric Ball Valve A150-T系列两通快装电动球阀

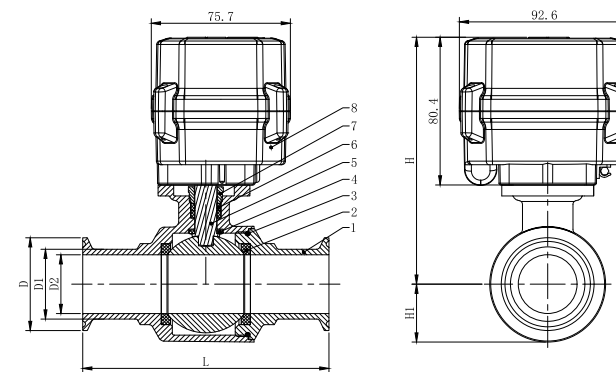
Technical Parameters 技术参数:

Valve size 口径	19 25 32 38 (Optional)
Connection standard 连接标准	ISO5211 F03、F05
Output axis specification 输出轴规格	11*11 9*9
Maximum working pressure 最大工作压力	1.0MPa
Circulation medium 介质	Fluid, air
Rated voltage 额定电压	DC12V DC24V AC24V DC12-24V AC110-230V (Optional)
Wiring diagram 接线图	CR201 CR202 CR301 CR303 CR306 CR501 CR502 CR702 CR703 CR706 (Optional)
Working current 工作电流	≤1.5A
Open/close time 开关时间	≤12S
Life time 寿命	70000 times (testing pressure is 0.4MPa, medium is water)
Valve body material 阀材质	SS304 SS316
Actuator material 执行器材质	PPO
Sealing material 密封材料	FKM & PTFE
Actuator rotation 执行器旋转角度	90°
Torque force 扭力	15 N.m
Cable Length 线长	0.5m, 1.5m (Optional)
Environment temperature 环境温度	-15°C ~ 50°C
Liquid temperature 液体温度	2°C ~ 90°C
Manual operation 手动操作	Yes
Open/close indicator 开关指示	Yes
Protection class 防护等级	IP67



A150-T

Assemble Diagram 组装图



DESCRIPTION	D	D1±0.3	D2±0.3	L±1	H±1	H1
38-S2-B	50.5	38	32	134	134.4	25.25
32-S2-B	50.5	32	28.5	120	129	25.25
25-S2-B	50.5	25	22	119	127.5	25.25
19-S2-B	50.5	19	15.5	99	121	25.25

Components 组成

No.	Name	Material	Specification	Quantity
1	Body	Stainless Steel	304	1
2	Sealing	PTFE		2
3	O-Ring	FKM		1
4	Stem Gasket	PTFE		1
5	Stem	Stainless Steel	304	1
6	Packing	PTFE		2
7	Packing Gland	Stainless Steel	304	1
8	Actuator	PPO		1

A150-M Series 2 Way PVC Modulating Electric Ball Valve A150-M系列两通PVC电动比例调节阀

Technical Parameters 技术参数:

Valve size 口径	NPT/BSP/No Thread Glued Type 1/2" 3/4" 1" 1 1/4" 1 1/2" 2" (Optional)
Connection standard 连接标准	ISO5211 F03、F05
Output axis specification 输出轴规格	11*11 9*9 (Optional)
Maximum working pressure 最大工作压力	1.0MPa
Circulation medium 介质	Fluid, air
Rated voltage 额定电压	DC12-24V
Input signal 输入信号	4-20mA 1-5V 2-10V (Optional)
Output signal 输出信号	4-20mA
Working current 工作电流	≤1.5A
Open/close time 开关时间	≤12S
Life time 寿命	70000 times (testing pressure is 0.4MPa, medium is water)
Valve body material 阀材质	UPVC (Optional)
Actuator material 执行器材质	PPO
Sealing material 密封材料	FKM/EPDM & PTFE
Torque force 扭力	15 N.m
Cable Length 线长	0.5m, 1.5m (Optional)
Environment temperature 环境温度	-15°C ~ 50°C
Liquid temperature 液体温度	2°C ~ 55°C
Manual operation 手动操作	Yes
Open/close indicator 开关指示	Yes
Protection class 防护等级	IP67



A150-M

A150-M Series 2 Way SS304 Modulating Electric Ball Valve A150-M系列两通不锈钢电动比例调节阀

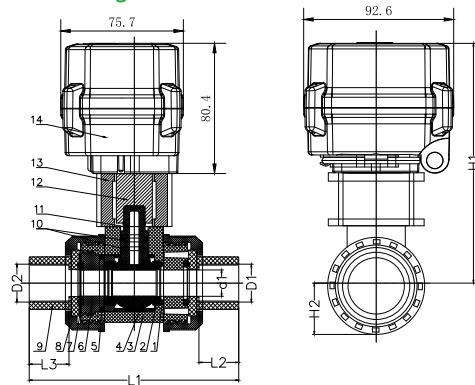
Technical Parameters 技术参数:

Valve size 口径	NPT/BSP 1 1/4" 1 1/2" 2" (Optional)
Connection standard 连接标准	ISO5211 F03、F05
Output axis specification 输出轴规格	11*11 9*9 (Optional)
Maximum working pressure 最大工作压力	1.0MPa
Circulation medium 介质	Fluid, air
Rated voltage 额定电压	DC12-24V
Input signal 输入信号	4-20mA 1-5V 2-10V (Optional)
Output signal 输出信号	4-20mA
Working current 工作电流	≤1.5A
Open/close time 开关时间	≤12S
Life time 寿命	70000 times (testing pressure is 0.4MPa, medium is water)
Valve body material 阀材质	SS304 SS316 (Optional)
Actuator material 执行器材质	PPO
Sealing material 密封材料	FKM & PTFE
Torque force 扭力	15 N.m
Cable Length 线长	0.5m, 1.5m (Optional)
Environment temperature 环境温度	-15°C ~ 50°C
Liquid temperature 液体温度	2°C ~ 90°C
Manual operation 手动操作	Yes
Open/close indicator 开关指示	Yes
Protection class 防护等级	IP67



A150-M

Assemble Diagram 组装图

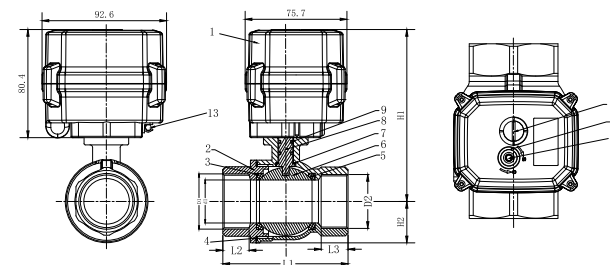


Components 组成

No.	Name	Material	Specification	Quantity
1	O-ring	EPDM/VITON		2
2	Sealing	PTFE		2
3	Valve Body	UPVC		1
4	Ball	UPVC		1
5	O-ring	EPDM/VITON		2
6	Bonnet	UPVC		2
7	O-ring	EPDM/VITON		2
8	Gland	UPVC		2
9	Socket	UPVC		2
10	O-ring	EPDM/VITON		2
11	Stem	UPVC		1
12	Coupling	Stainless Steel	304	1
13	Holder	Stainless Steel	304	1
14	Actuator	PPO		1
15	Hexagon Wrench	Stainless Steel	304	1

DESCRIPTION	D1/D2	d1±0.3	L1±1	L2/L3±1	H1±1	H2	D1/D2						
15-P2-B	1/2"	15	107	22.3	136.7	27.5	21.54	20.30	22.4	22.40			
20-P2-B	3/4"	20	115	25.5	141.2	32	26.87	25.30	26.45	26.40			
25-P2-B	1"	25	129	28.6	156.25	37.25	33.65	32.30	32.55	34.50			
32-P2-B	1 1/4"	32	144	32	162.4	42.75	42.42	40.30	38.60	42.50			
40-P2-B	1 1/2"	40	161	35	174	50	48.56	50.30	48.70	48.60			
50-P2-B	2"	50	173	38	194.4	60	60.63	63.30	60.80	60.60			
							ANSI	DIN	JIS	CNS			

Assemble Diagram 组装图



Components 组成

No.	Name	Material	Specification	Quantity
1	Actuator	PPO		1
2	Body & Cover	Stainless Steel	304	1
3	O-ring	FKM		2
4	Sealing	PTFE		1
5	Sealing	PTFE		2
6	Ball	Stainless Steel	304	1
7	Gasket	PTFE		1
8	Stem	Stainless Steel	304	1
9	O-ring	FKM		2
10	Manual Shaft	Stainless Steel	304	1
11	Oil-seal	NBR		1
12	Indicator	PC		1
13	Hexagon Wrench	Stainless Steel	304	1

DESCRIPTION	D1/D2	d1±0.3	L1±1	L2/L3±1	E1±0.5	H1±1	H2
32-S2-B	1 1/4"	32	102	25	47	125.4	31
40-S2-B	1 1/2"	38	114	26	54	132.4	36
50-S2-B	2"	49	130	27	66	140.4	44.5

A150-T Series 3 Way PVC Electric Ball Valve A150-T系列三通UPVC电动球阀

Technical Parameters 技术参数:

Valve size 口径	NPT/BSP/No Thread Glued Type 1/2" 3/4" 1" 1 1/4" 1 1/2" 2" (Optional)
Connection standard 连接标准	ISO5211 F03, F05
Output axis specification 输出轴规格	11*11 9*9
Maximum working pressure 最大工作压力	1.0MPa
Circulation medium 介质	Fluid, air
Rated voltage 额定电压	DC12V DC24V AC24V DC12-24V AC110-230V (Optional)
Wiring diagram 接线图	CR201 CR202 CR301 CR303 CR306 CR501 CR502 CR702 CR703 CR706 (Optional)
Working current 工作电流	≤1.5A
Open/close time 开关时间	≤12S
Life time 寿命	70000 times (testing pressure is 0.4MPa, medium is water)
Valve body material 阀材质	UPVC
Actuator material 执行器材质	PPO
Sealing material 密封材料	EPDM /FKM& PTFE
Actuator rotation 执行器旋转角度	90°
Torque force 扭力	15 N.m
Cable Length 线长	0.5m, 1.5m (Optional)
Environment temperature 环境温度	-15°C ~ 50°C
Liquid temperature 液体温度	2°C ~ 55°C
Manual operation 手动操作	Yes
Open/close indicator 开关指示	Yes
Protection class 防护等级	IP67



A150-T

A150-T Series 3 Way Tri-clamp Electric Valve A150-T系列三通快装电动阀

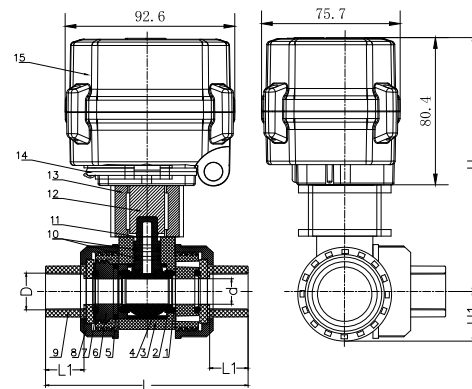
Technical Parameters 技术参数:

Valve size 口径	19 25 32 (Optional)
Connection standard 连接标准	ISO5211 F03, F05
Output axis specification 输出轴规格	11*11 9*9
Maximum working pressure 最大工作压力	1.0MPa
Circulation medium 介质	Fluid, air
Rated voltage 额定电压	DC12V DC24V AC24V DC12-24V AC110-230V (Optional)
Wiring diagram 接线图	CR201 CR202 CR301 CR303 CR306 CR501 CR502 CR702 CR703 CR706 (Optional)
Working current 工作电流	≤1.5A
Open/close time 开关时间	≤12S
Life time 寿命	70000 times (testing pressure is 0.4MPa, medium is water)
Valve body material 阀材质	SS304 SS316
Actuator material 执行器材质	PPO
Actuator rotation 执行器旋转角度	90°
Torque force 扭力	15 N.m
Cable Length 线长	0.5m, 1.5m (Optional)
Environment temperature 环境温度	-15°C ~ 50°C
Liquid temperature 液体温度	2°C ~ 90°C
Manual operation 手动操作	Yes
Open/close indicator 开关指示	Yes
Protection class 防护等级	IP67



A150-T

Assemble Diagram 组装图

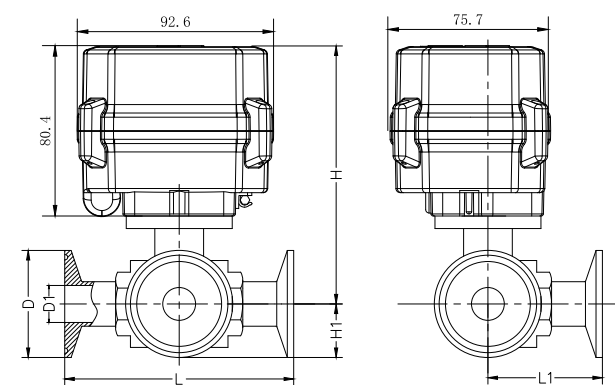


DESCRIPTION	D1/D2	d±0.3	L±1	L1±1	H±1	H1
15-P3-B	1/2"	14	137	22	133.4	30
20-P3-B	3/4"	22	172	24.5	145.4	38.5
25-P3-B	1"	25	200	28	148.4	46
32-P3-B	1 1/4"	25	208	32	148.4	46
40-P3-B	1 1/2"	38	240	35	172.4	65
50-P3-B	2"	38	246	38	172.4	65

Components 组成

No.	Name	Material	Specification	Quantity
1	O-ring	EPDM		4
2	Sealing	PTFE		4
3	Valve Body	UPVC		1
4	Ball	CPVC		1
5	O-ring	EPDM		3
6	Bonnet	UPVC		3
7	O-ring	EPDM		3
8	Gland	UPVC		3
9	Socket	UPVC		3
10	O-ring	EPDM		2
11	Stem	CPVC		1
12	Coupling	Stainless Steel	304	1
13	Holder	PA		1
14	Hexagon Wrench	Stainless Steel	304	1
15	Actuator	PPO		1

Assemble Diagram 组装图

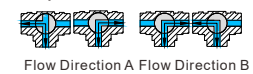


DESCRIPTION	D±0.3	D1±0.3	L±1	L1±1	H±1	H1
19-S2-B	50.5	15.5	108	55.5	121.9	25.25
25-S2-B	50.5	21.8	126	61.5	128.4	25.25
32-S2-B	50.5	28.8	136	67.5	129.9	28

Components 组成

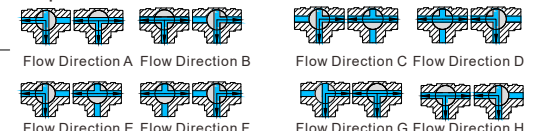
No.	Name	Material	Specification	Quantity
1	Actuator	PPO		1
2	Hexagon Wrench	303		1
3	Bonnet	304		1

L port



Flow Direction A Flow Direction B

T port



Flow Direction A Flow Direction B

Flow Direction C Flow Direction D

Flow Direction E Flow Direction F

Flow Direction G Flow Direction H

B150-T series quick open high protection moistureproof electric ball valve B150-T 系列快开高防护防潮开关型电动阀

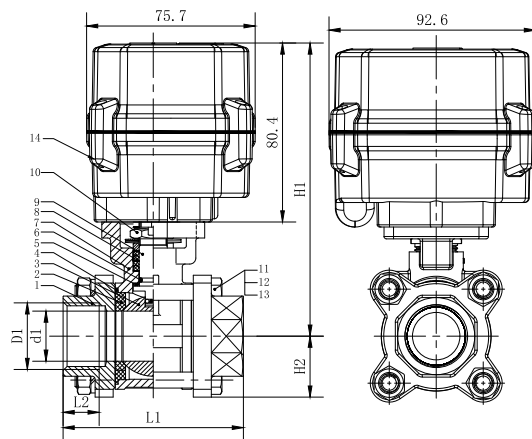
Technical Parameters 技术参数:

Valve size 口径	BSP/NPT 2 way 1/2" 3/4" 1" 1 1/4" 1 1/2" 2" (Optional)
Connection standard 连接标准	ISO5211 F03 / F05
Output axis specification 输出轴规格	Male square 11*11
Maximum working pressure 最大工作压力	1.0MPa
Circulation medium 介质	Fluid, air
Rated voltage 额定电压	DC12V DC24V (Optional)
Wiring diagram 接线图	CR201 CR501 CR303 CR703 (Optional)
Working current 工作电流	≤2 A (DC12V) ≤1A (DC24V)
*New Open/close time 开关时间	≤2S/90°
Life time 寿命	50000 times (testing pressure is 0.4MPa, medium is water)
Valve body material 阀材质	SS304 SS316 (Optional)
Actuator material 执行器材质	PPO
Sealing material 密封材料	EPDM FKM & PTFE
Actuator rotation 执行器旋转角度	90°
Torque force 扭力	15 N.m
Cable specification 线规	UL 2464 22awg 0.5m 1.5m (Optional)
Environment temperature 环境温度	-15°C ~ 50°C
Liquid temperature 液体温度	2°C ~ 90°C
Manual operation 手动操作	Yes (Matching hex wrench, use in case of power failure)
Open/close indicator 开关指示	Yes
Locked-rotor current 堵转电流	5A (DC12V) 3.5A (DC24V)
*New Protection class 防护等级	IP68



B150-S23-B

Assemble Diagram 组装图



DESCRIPTION	D1	d1±0.5	L1±1	L2±1	H1±1	H2
15-S23-B	1/2"	15	70	14	123.4	24
20-S23-B	3/4"	20	80	16	127.4	28
25-S23-B	1"	25	87	17	136.4	30

Components 组成

No.	Name	Material	Specification	Quantity
1	Bonnet	Stainless Steel	304	2
2	Seat	PTFE		2
3	Ball	Stainless Steel	304	2
4	Gasket	PTFE		1
5	Stem Gasket	PTFE		1
6	O-Ring	FKM		1
7	Body	Stainless Steel	304	1
8	Packing	PTFE		2
9	Stem	Stainless Steel	304	1
10	Packing Gland	Stainless Steel	304	1
11	Bolt	Stainless Steel	304	4
12	Spring Washer	Stainless Steel	304	4
13	Nut	Stainless Steel	304	4
14	Actuator	PPO		1

A150-T Series 2 Way PVC Electric Ball Valve A150-T 系列两通UPVC电动球阀

Technical Parameters 技术参数:

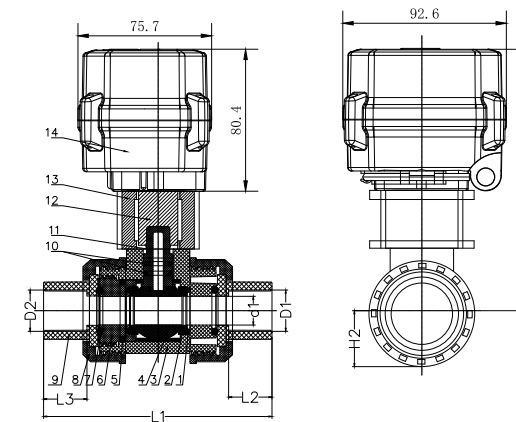
Valve size 口径	NPT/BSP/No Thread Glued Type 1/2" 3/4" 1" 1 1/4" 1 1/2" 2" (Optional)
Connection standard 连接标准	ISO5211 F03, F05
Output axis specification 输出轴规格	11*11 9*9
Maximum working pressure 最大工作压力	1.0MPa
Circulation medium 介质	Fluid, air
Rated voltage 额定电压	DC12V DC24V AC24V DC12-24V AC110-230V (Optional)
Wiring diagram 接线图	CR201 CR202 CR301 CR303 CR306 CR501 CR502 CR702 CR703 CR706 (Optional)
Working current 工作电流	≤1.5A
Open/close time 开关时间	≤12S
Life time 寿命	70000 times (testing pressure is 0.4MPa, medium is water)
Valve body material 阀材质	UPVC
Actuator material 执行器材质	PPO
Sealing material 密封材料	FKM/EPDM & PTFE
Actuator rotation 执行器旋转角度	90°
Torque force 扭力	15 N.m
Cable Length 线长	0.5m, 1.5m (Optional)
Environment temperature 环境温度	-15°C ~ 50°C
Liquid temperature 液体温度	2°C ~ 55°C
Manual operation 手动操作	Yes
Open/close indicator 开关指示	Yes
Protection class 防护等级	IP67



T50-P2-B

Components 组成

No.	Name	Material	Quantity
1	O-ring	EPDM/VITON	2
2	Sealing	PTFE	2
3	Valve Body	UPVC	1
4	Ball	UPVC	1
5	O-ring	EPDM/VITON	2
6	Bonnet	UPVC	2
7	O-ring	EPDM/VITON	2
8	Gland	UPVC	2
9	Socket	UPVC	2
10	O-ring	EPDM/VITON	2
11	Stem	UPVC	1
12	Coupling	PA	1
13	Holder	PA	1
14	Actuator	PPO	1



DESCRIPTION	D1/D2	d1±0.3	L1±1	L2/L3±1	H1±1	H2	D1/D2			
15-P2-B	1/2"	15	107	22.3	136.7	27.5	21.54	20.30	22.4	22.40
20-P2-B	3/4"	20	115	25.5	141.2	32	26.87	25.30	26.45	26.40
25-P2-B	1"	25	129	28.6	156.25	37.25	33.65	32.30	32.55	34.50
32-P2-B	1 1/4"	32	144	32	162.4	42.75	42.42	40.30	38.60	42.50
40-P2-B	1 1/2"	40	161	35	174	50	48.56	50.30	48.70	48.60
50-P2-B	2"	50	173	38	194.4	60	60.63	63.30	60.80	60.60
							ANSI	DIN	JIS	CNS

本手册内容仅供参考，不作为使用时的判定依据，详细技术参数及印刷板图请登录我司网站查询：www.tonheflow.com

A150-T Series UPVC Electric Flange Valve A150-T系列UPVC电动法兰阀

Technical Parameters 技术参数:

Valve size 口径	DN15 DN20 DN25 DN32 DN40 DN50 (Optional)
Connection standard 连接标准	ISO5211 F03、F05
Output axis specification 输出轴规格	11*11 9*9
Maximum working pressure 最大工作压力	1.0MPa
Circulation medium 介质	Fluid, air
Rated voltage 额定电压	DC12V DC24V AC24V DC12-24V AC110-230V (Optional)
Wiring diagram 接线图	CR201 CR202 CR301 CR303 CR306 CR501 CR502 CR702 CR703 CR706 (Optional)
Working current 工作电流	≤1.5A
Open/close time 开关时间	≤12S
Life time 寿命	70000 times (testing pressure is 0.4MPa, medium is water)
Valve body material 阀材质	UPVC
Actuator material 执行器材质	PPO
Sealing material 密封材料	EPDM/FKM & PTFE (Optional)
Actuator rotation 执行器旋转角度	90°
Torque force 扭力	15 N.m
Cable Length 线长	0.5m, 1.5m (Optional)
Environment temperature 环境温度	-15°C ~ 50°C
Liquid temperature 液体温度	2°C ~ 55°C
Manual operation 手动操作	Yes
Open/close indicator 开关指示	Yes
Protection class 防护等级	IP67

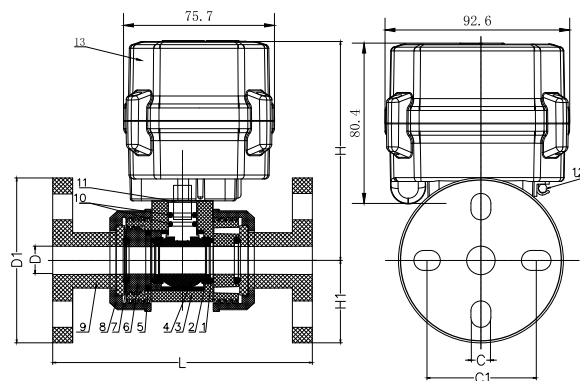


A150-T

Components 组成

No.	Name	Material	Quantity
1	O-ring	EPDM/ITON	2
2	Sealing	PTFE	2
3	Valve Body	UPVC	1
4	Ball	UPVC	1
5	O-ring	EPDM/ITON	2
6	Bonnet	UPVC	2
7	O-ring	EPDM/ITON	2
8	Gland	UPVC	2
9	Socket	UPVC	2
10	O-ring	EPDM/ITON	2
11	Stem	UPVC+ Stainless Steel	1
12	Hexagon Wrench	Stainless Steel	1
13	Actuator	PPO	1

Assemble Diagram 组装图



DESCRIPTION	D±0.3	D1±0.3	L±1	C±0.3	C1±0.3	H±0.3	H1±1
15-P2-B	15	95	146	14	64	47	116
20-P2-B	20	104	163	14	71	52	124
25-P2-B	25	118	182	16	83	59	129
32-P2-B	32	139	194	16	93	69.5	138
40-P2-B	40	149	212	18	102	74.5	144.5
50-P2-B	50	164	241	18	122	82	156.5

Water Leak Protection 防漏水控制器

Product Characteristic 产品特点

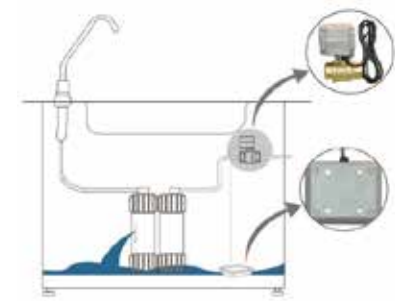


W15-B2-C

- 外形小巧美观 (87*71*29mm), 便于安装。
Small and beautiful shape to install easily.
- 电线采用防水快速接头, 拆卸方便。
Using waterproof quick connection, disassemble easily.
- 铜制金属感应器灵敏度高, 快速检测漏水并及时关闭阀门。
Brass sensors with high sensitivity, rapid detection and closed valves in time.
- 感应控制器全密封、防潮设计, 提高了产品使用寿命。
Fully sealed and moisture-proof design, improve the product's life.
- 控制器面板配有指示图标和手动按键, 便于识别及操作 (手动按键: 电源键, 开阀键, 关阀键)。
Control panel is easy to operate with indicator icon and manual button.
- 全金属齿轮结构设计, 提升了电动球阀的质量。
Metal gears improve the quality of motorized valves.
- *电池供电, 电量不足自动报警。
Battery supply, auto alarm when power is lower.

Product Parameter 产品参数

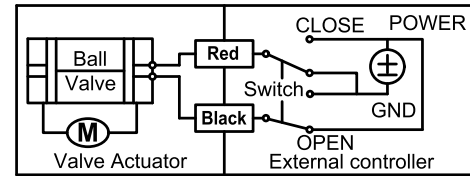
- 阀体口径: 1/4" - 1"
- Valve Size: 1/4"- 1"
- 阀体材质: 黄铜、铜镀镍、不锈钢
- Valve Material: Brass, Nickel Plated Brass, SS304
- 工作电压: 3VDC (2节AA, 5号电池)
- Working Voltage: 3VDC (2AA 5# Battery)
- 开关时间: 7S
- Open/Closed Time: 7S
- 承受压力: 1.0Mpa
- Maximum Working Pressure: 1.0Mpa



Wiring Diagram

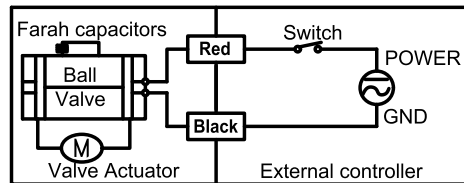
■ CR201 Wiring Diagram (2 wires control)

- RD connect with positive, the BK connect with negative, the valve closed, the actuator automatically power off after in place , the valve remains fully closed position
- BK connect with positive, the RD connect with negative, the valve open, the actuator automatically power off after in place, the valve remains fully open position
- Suitable Working Voltage: DC5V,DC12V,DC24V
- Exceeding the working voltage is forbidden



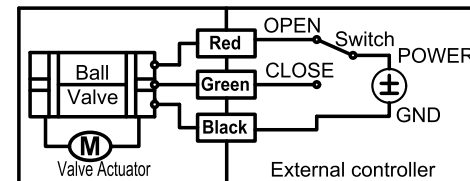
■ CR202 Wiring Diagram (2 wires control – Capacitors return in case of the power is failure)

- When SW is closed , the valve OPEN. the actuator automatically power off after in place
- When SW is open, the valve CLOSED, the actuator automatically power off after in place
- Suitable Working Voltage: AC/DC9-24V AC/DC110-230V
- Exceeding the working voltage is forbidden



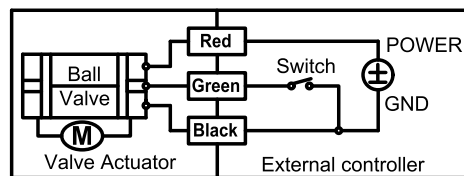
■ CR301 Wiring Diagram (3 wires control)

- RD & GR connect with positive, BK connect with negative
- When OPEN(RD) & SW connected , the valve OPEN, the actuator automatically power off after in place , valve remains fully open position
- When CLOSE(GR) & SW connected, the valve CLOSED, the actuator automatically power off after in place, valve remains fully closed position
- Suitable Working Voltage: DC5V,DC12V,DC24V
- Exceeding the working voltage is forbidden



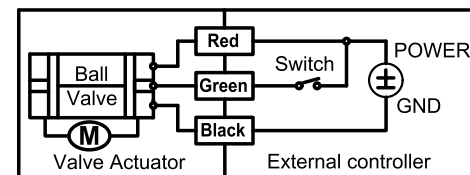
■ CR302 Wiring Diagram (3 wires control)

- RD connect with positive, the BK & GR connect with negative
- SW CLOSED, the valve OPEN, the actuator automatically power off after in place
- SW OPEN, the valve CLOSED, the actuator automatically power off after in place
- Suitable Working Voltage: DC9-24V
- Exceeding the working voltage is forbidden



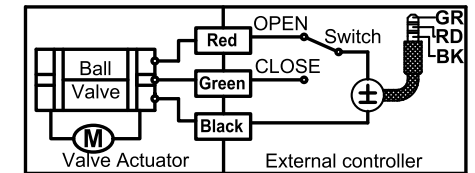
■ CR303 Wiring Diagram (3 wires control)

- RD& GR connect with positive, the BK connect with negative
- SW CLOSED, the valve OPEN, the actuator automatically power off after in place
- SW OPEN, the valve CLOSED, the actuator automatically power off after in place
- Suitable Working Voltage: DC12V,DC24V,AC/DC9-24V,AC/DC110-230V,AC/DC9-29V
- Exceeding the working voltage is forbidden



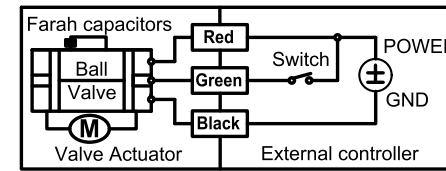
■ CR304 Wiring Diagram (3 wires control)

- RD & GR connected with positive, and the BK connected with negative
- When RD & SW connected, the valve closed, the actuator automatically power off after in place , remains fully closed position
- When GR & SW connected, the valve open, the actuator automatically power off after in place , remains fully open position
- Suitable Working Voltage: DC5V,DC12V, DC9-24V
- Exceeding the working voltage is forbidden



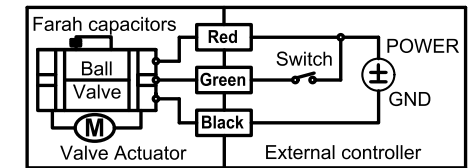
■ CR305 Wiring Diagram (3 wires control – Capacitors return incase of the power is failure)

- RD& GR connect with positive, the BK connect with negative
- SW CLOSED, the valve OPEN, the actuator automatically power off after in place
- SW OPEN, the valve CLOSED, the actuator automatically power off after in place
- When external power off, the valve CLOSED, the actuator automatically power off after in place
- Suitable Working Voltage: AC/DC9-24V,AC/DC110-230V
- Exceeding the working voltage is forbidden



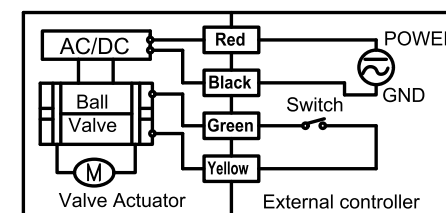
■ CR306 Wiring Diagram (3 wires control – Capacitors return in case of the power is failure)

- RD& GR connect with positive, the BK connect with negative
- SW CLOSED, the valve OPEN, the actuator automatically power off after in place
- SW OPEN, the valve CLOSED, the actuator automatically power off after in place
- When external power off, the valve OPEN, the actuator automatically power off after in place
- Suitable Working Voltage: AC/DC9-24V,AC/DC110-230V
- Exceeding the working voltage is forbidden



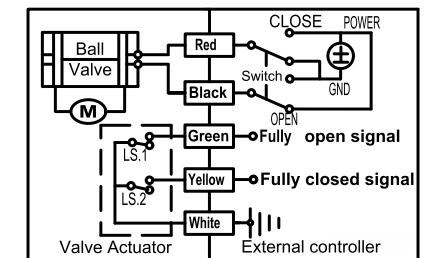
■ CR401 Wiring Diagram (4 wires control)

- RD & BK are connected to the power, GR & YW are connected to the controlled wiring
- When the SW is closed , the valve open
- When the SW is OPEN , the valve CLOSED
- Suitable Working Voltage:AC/DC110V-230V
- Exceeding the working voltage is forbidden
- The control wiring with power DC5V , when multiple motorized valves are working in parallel , must put the same color control wiring together, otherwise the valve could not working normally



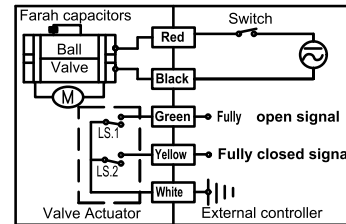
■ CR501 Wiring Diagram (5 wires control with feedback signal)

- RD connect with positive, the BK connect with negative, the valve closed, the actuator automatically power off after in place
- BK connect with positive, the RD connect with negative, the valve open, the actuator automatically power off after in place
- GR & WT connect with the valve's fully open signal wiring
- YW & WT connect with the valve's fully closed signal wiring
- Suitable Working Voltage:DC5V,DC12V,DC24V
- Exceeding the working voltage is forbidden



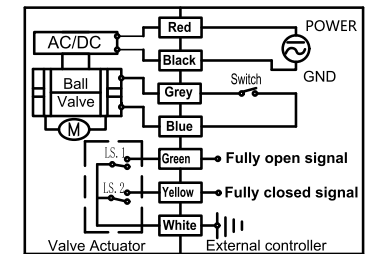
■ CR502 Wiring Diagram (5 wires control - Capacitors return in case of the power is failure & feedback signal)

- When SW is closed , the valve OPEN. the actuator automatically power off after in place
- When SW is open, the valve CLOSED, the actuator automatically power off after in place
- GR & WT connect with the valve's fully open signal wiring
- YW & WT connect with the valve's fully closed signal wiring
- Suitable Working Voltage: AC/DC9-24V, AC/DC110V-230V
- Exceeding the working voltage is forbidden



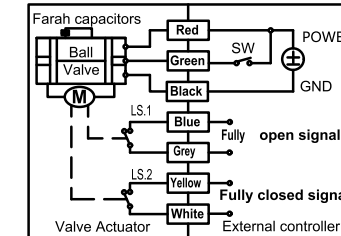
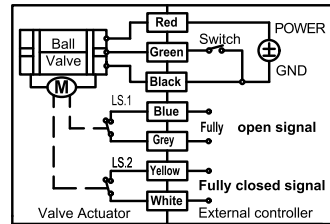
■ CR704 Wiring Diagram (7 wires control with feedback signal)

- RD & BK are connected to the power, BL & GY are connected to the controlled wiring
- When the SW is closed , the valve open
- When the SW is open , the valve closed
- GR & WT connect with the valve's fully OPEN signal wiring
- YW & WT connect with the valve's fully CLOSED signal wiring
- Suitable Working Voltage: AC/DC110V-230V
- Exceeding the working voltage is forbidden



■ CR701 Wiring Diagram (7 wires control with feedback signal)

- RD connect with positive
- GR connect with SW and negative wiring
- BK connect with negative wiring
- When SW close. the valve OPEN, and keeping fully open
- When SW open. the valve CLOSED, and keeping fully closed
- BL & GY connect with the valve's fully open signal wiring
- YW & WT connect with the valve's fully closed signal wiring
- Suitable Working Voltage: DC9-24V
- Exceeding the working voltage is forbidden
- Feedback with load ability:
 - ①The Max. off voltage: DC36V AC220V
 - ② The Max. off current: ≤0.4A

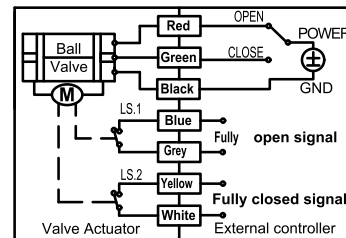


■ CR705 Wiring Diagram (7 wires control - Capacitors return in case of the power is failure & feedback signal)

- RD & GR connect with positive, the BK connect with negative
- SW CLOSED, the valve OPEN, the actuator automatically power off after in place
- SW OPEN, the valve CLOSED, the actuator automatically power off after in place
- When external power off, the valve closed, the actuator automatically power off after in place
- BL & GY connect with the valve's fully open signal wiring
- YW & WT connect with the valve's fully closed signal wiring
- Suitable Working Voltage: AC/DC9-24V,AC/DC110-230V
- Exceeding the working voltage is forbidden

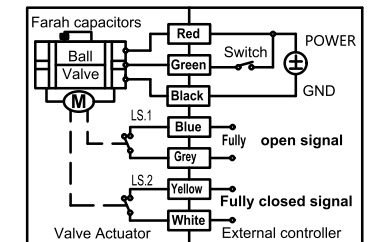
■ CR702 Wiring Diagram (7 wires control with feedback signal)

- RD & GR connect with positive, the BK connect with negative
- When RD & SW connected, the valve OPEN, the actuator automatically power off after the valve fully open
- When GR & SW connected, the valve CLOSED, the actuator automatically power off after the valve fully closed
- BL & GY connect with the valve's fully open signal wiring
- YW & WT connect with the valve's fully closed signal wiring
- Suitable Working Voltage: DC5V,DC12V,DC24V
- Exceeding the working voltage is forbidden
- Feedback with load ability:
 - ① The Max. off voltage: DC36V AC220V
 - ② The Max. off current: ≤0.4A



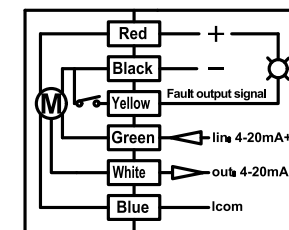
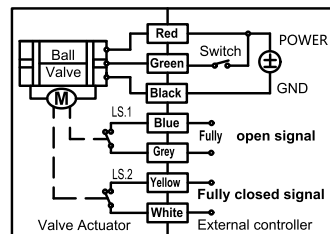
■ CR706 Wiring Diagram (7 wires control - Capacitors return in case of the power is failure & feedback signal)

- RD & GR connect with positive, the BK connect with negative
- SW CLOSED, the valve OPEN, the actuator automatically power off after in place
- SW OPEN, the valve CLOSED, the actuator automatically power off after in place
- When external power off, the valve open, the actuator automatically power off after in place
- BL & GY connect with the valve's fully open signal wiring
- YW & WT connect with the valve's fully closed signal wiring
- Suitable Working Voltage: AC/DC9-24V,AC/DC110-230V
- Exceeding the working voltage is forbidden



■ CR703 Wiring Diagram (7 wires control with feedback signal)

- RD & GR connect with positive, the BK connect with negative
- SW CLOSED, the valve OPEN, the actuator automatically power off after in place
- SW OPEN, the valve CLOSED, the actuator automatically power off after in place
- BL & GY connect with the valve's fully open signal wiring
- YW & WT connect with the valve's fully closed signal wiring
- Suitable Working Voltage: DC12V,DC24V,AC/DC9-24V,AC110-230V
- Exceeding the working voltage is forbidden



■ A150 SERIES MODULATING VALVE WIRE DIAGRAM

- 1, 红线接正极, 黑线接负极。
 - 2, 绿线接4-20mA/0-10V/0-5V信号输入正极, 蓝色接信号输入负极。黄线接错误输出。
 - 3, 黄线是错误输出信号,错误时黄线和红线断开; 白线是4-20mA输出。
- 1, RD connect +, BK-
2,GR connect input signal +(4-20mA, 0-5V, 0-10V) ,BL connect input signal-.
3,YW connect err output signal.YW & RD are disconnected when there is err. WT connect 4-20mA output .