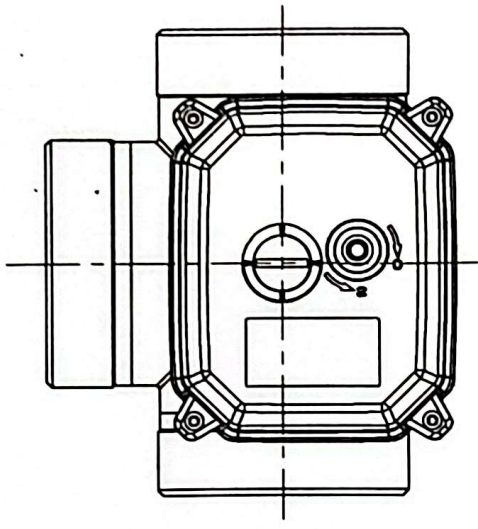
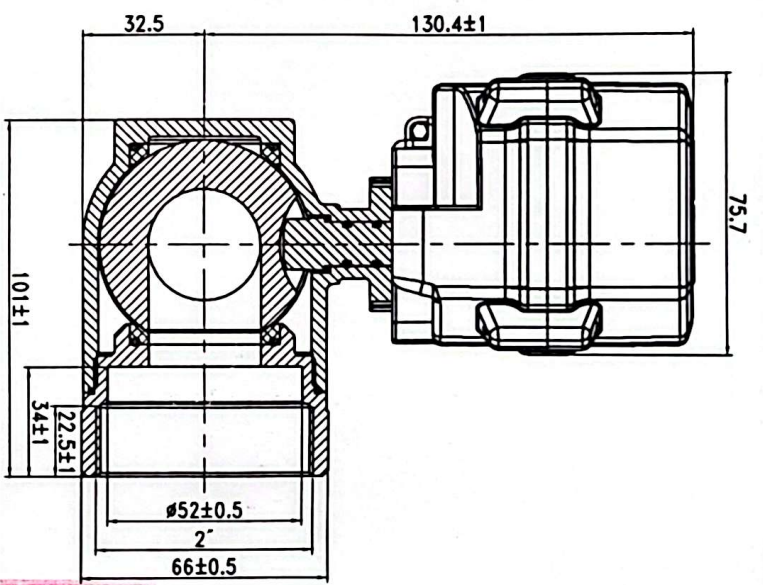
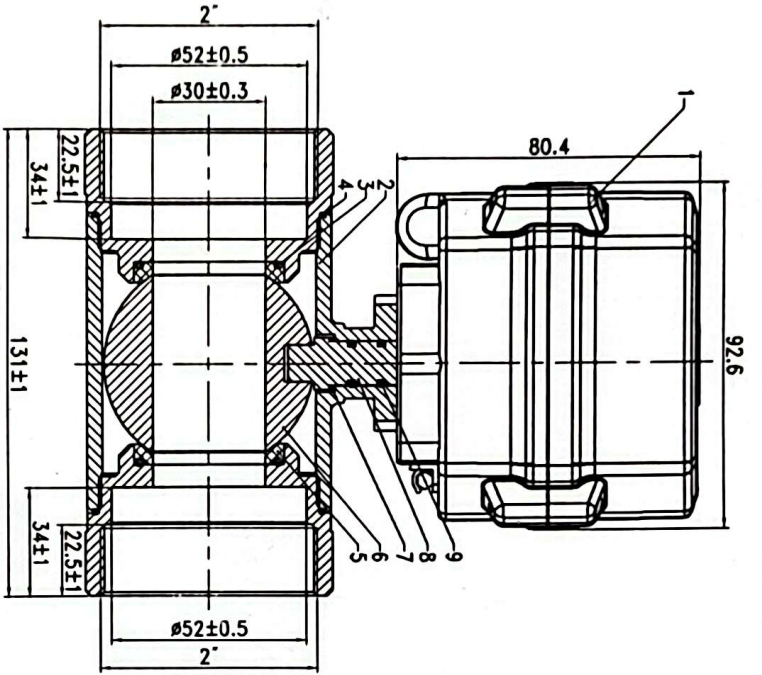


PART CODE :



台州通禾流体控制股份有限公司
Taizhou Tonhe Flow Control Co., Ltd
受控专用章
Controlled Special Seal

No.	Name	Material	Specification	Quantity
9	O-ring	FKM		2
8	Valve Stem	Brass		1
7	Gasket	PTFE		1
6	Ball	SS304		1
5	Valve Seat	PTFE		4
4	O-ring	FKM		3
3	O-ring	FKM		4
2	Valve Body	Brass		1
1	Actuator	PPO		1
MATERIAL		DRN & DATE	TITLE	
QTY/SET		2025/12/8	A150-T50-B3-B	
FINISH		CHK & DATE	Electric valve	
TREATMENT				
COLOUR		APPD & DATE		
UNIT		MM		
SCALE			DRG NO/PDD REF NO	
SHEET NO			ISSUE	
MODEL NO				
V0				

Taizhou Tonhe Flow Control Co., Ltd

www.tonheflow.com