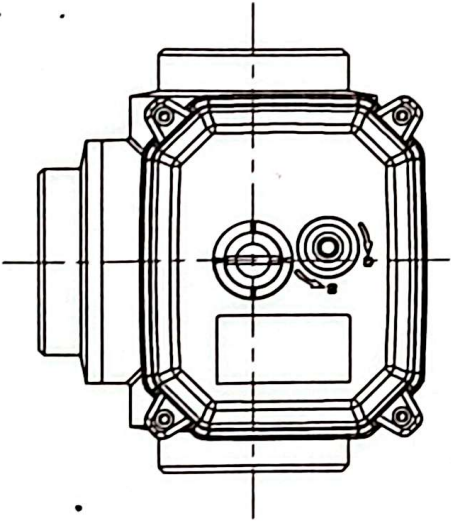
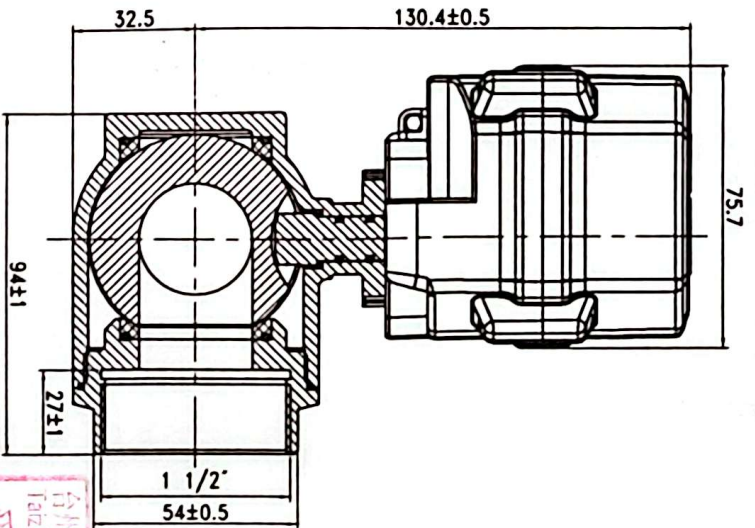
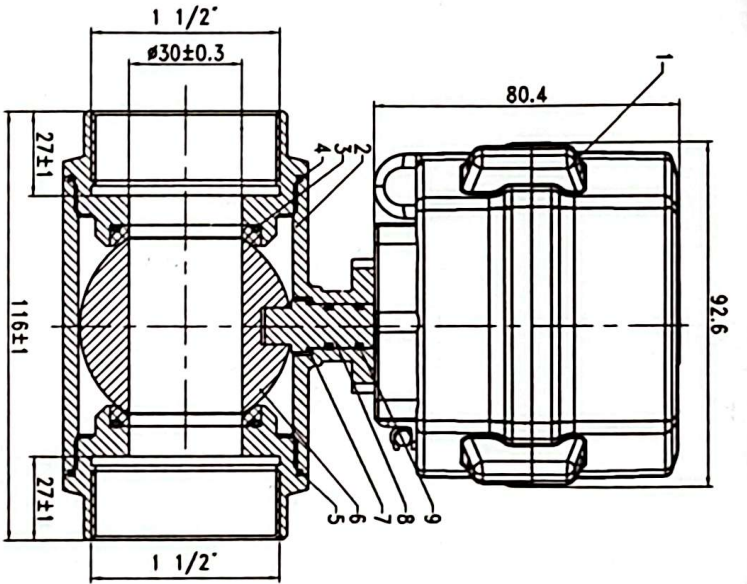


PART CODE :



9	O-ring	FKM	Material	Quantity	1
8	Valve Stem	Brass	Material	Quantity	1
7	Gasket	PTFE	Material	Quantity	1
6	Ball	SS304	Material	Quantity	1
5	Valve Seal	PTFE	Material	Quantity	4
4	O-ring	FKM	Material	Quantity	3
3	O-ring	FKM	Material	Quantity	4
2	Valve Body	Brass	Material	Quantity	1
1	Actuator	PPO	Material	Quantity	1
No.		Name	Material	Specification	Quantity
MATERIAL					
QTY/SET		2025/1/2/8			
FINISH		CHK & DATE			
TREATMENT					
COLOUR		APPD. & PAT			
UNIT		1:1.5			
		NIM			
		SCALE			
		DRG NO./POD REF NO			
		TITLE	A150-T40-B3-B		
			Electric valve		
		MODEL NO			
		V0			
		SHEET NO			
		ISSUE			

台州通海流体控制有限公司
Taizhou Tonhe Flow Control Co., Ltd
密封件用管
Controlled Special Seal

Taizhou Tonhe Flow Control Co., Ltd

www.tonheflow.com